



T.R. CELL

QF41A
to
QF41K

The QF41 series are tuneable integral cavity T-R cells for operation in the 'X' (3 cm.) band. These cells are designed for use in branched duplexers in WG16 (Rectangular 0.9" x 0.4" internal dimensions).

PHYSICAL DIMENSIONS.

Max. overall height	3½ ins. (95.3 mm.)
Max. width between flanges	1.0 in. (25.4 mm.)
Top Cap (Primer electrode)	CT6 (5BA thread).
Mounting Position	Any.
Waveguide	WG16.

For other dimensions see drawings overleaf.

FREQUENCY RANGE.

The preset tuner provides tuning over a range of approx. ± 75 Mc/s.

The operating centre frequency and actual range is indicated by the suffix letter:—

QF41A	9005 to 9155 Mc/s.
QF41B	9100 to 9250 Mc/s.
QF41C	9200 to 9350 Mc/s.
QF41D	9300 to 9450 Mc/s.
QF41E	9400 to 9550 Mc/s.
QF41F	9500 to 9650 Mc/s.
QF41G	9600 to 9750 Mc/s.
QF41H	9700 to 9850 Mc/s.
QF41J	9800 to 9950 Mc/s.
QF41K	9900 to 10050 Mc/s.

RATINGS.

Max. Transmitter Power level ...	50 kW. Peak.
*Max. Primer Supply Voltage ...	-1500 volts.
*Min. Primer Supply Voltage ...	-700 volts.
*Max. Primer Current ...	200 μ A.
*Min. Primer Current ...	100 μ A.

CHARACTERISTICS.

	Average.	Limit.
Low Power Level		
Q _L	130	125 to 160
V.S.W.R. (at Resonance) ...	1.1	1.4
†Insertion Loss	0.8	1.2 dB.
High Power Level.		
‡Leakage at 40 kW. :—		
Flat Leakage Power ...	20	30 mW.
Spike Leakage Energy ...	0.06	0.1 ergs/pulse
Breakdown Power	100	250 mW.
Recovery Time (to -6dB)...	1.5	4 μ Sec.
§Position of V.S.W. minimum:—		
Gap discharge	0.24" \pm 0.02".	
Window discharge	0.22" \pm 0.02".	
Primer Operating Voltage ...	350	250 to 450 volts.

*See note (4) under 'Operating Notes' overleaf.

†Primer energised.

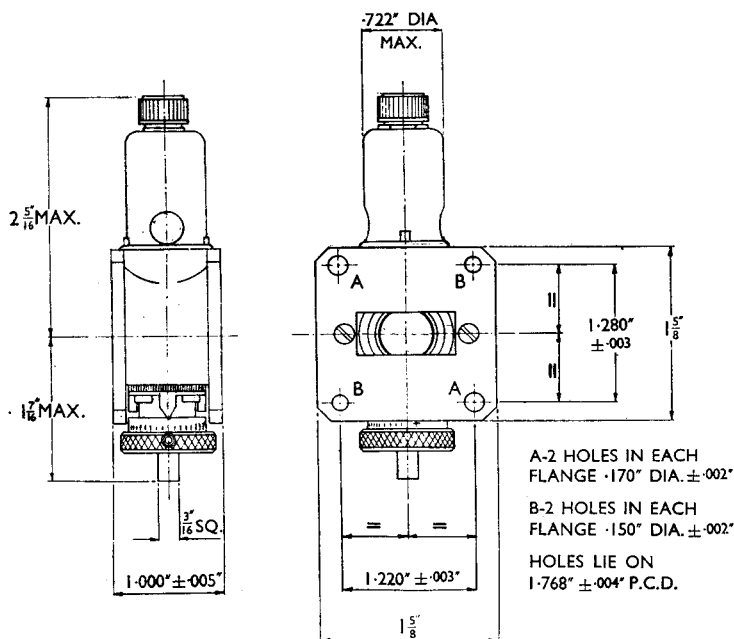
‡1 μ sec. pulses.

§Measured from the input flange.

See note (5) under 'Operating Notes' overleaf.

**QF41A
to
QF41K**

Ferranti



OPERATING NOTES.

(1) This T.R. Cell in a simple duplexer, gives complete protection to all types of crystals both from the local and neighbouring transmitters, with an appreciable margin of safety and long life.

(2) A balanced mixer is an advantage.

(3) To give protection from neighbouring transmitters when the set is not operating and the primer unenergised a suitable gate or crystal shutter must be fitted.

(4) To ensure rapid breakdown a negative voltage of 1000V. D.C. should be applied to the primer electrode. The primer current should be restricted to between 100 μ A and 200 μ A by means of a suitable limiting resistance. Some of this resistance may be located in the power supply but at least 1 megohm should be connected directly on to the primer terminal to prevent relaxation oscillations. It is advisable to arrange that the keep-alive current is passing for a few seconds before the transmitter begins to operate.

(5) The position of the V.S.W. minimum has two alternative values, depending on whether a window discharge occurs or not, but in either case the crystal protection is not affected. Transition of the V.S.W. minimum from the cones to the window takes place under the following conditions:—

At 8.7 kW. approx. with a pulse width of 1 μ sec. and a P.R.F. of 1000.

At 10.4 kW. approx. with a pulse width of 1 μ sec. and a P.R.F. of 500.

At 17 kW. approx with a pulse width of 0.1 μ sec. and a P.R.F. of 1000.