

OA2WA

VOLTAGE STABILIZER

Service Types CV4020, CV4100, CV8168

The data to be read in conjunction with the Voltage Stabilizer Preamble.

DESCRIPTION

The OA2WA is a single gap cold cathode gas-filled voltage stabilizer with a B7G base. It is designed to provide a sensibly constant voltage output of 150 volts over the current range 5.0 to 30mA.

It is essentially a rugged and reliable version of the OA2.

GENERAL DATA

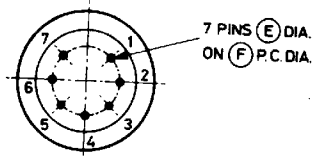
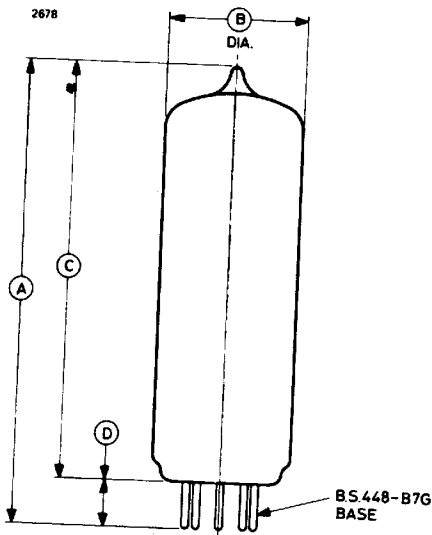
Characteristics

Striking voltage in normal lighting	165	V max
Striking voltage in total darkness	165	V max
Operating voltage (approx)	150	V
Operating voltage at 30mA	158	V max
Operating voltage at 5.0mA	142	V min
Cathode current range	5.0 to 30	mA
Regulation over current range 5.0 to 30mA	5.0	V max
Noise (r.m.s.) (50 to 5000Hz) over the current range 5.0 to 30mA	5.0	mV max
Acceleration (continuous)	2.5	g max
Shock (short duration)	500	g max
Ambient temperature range	-55 to +90	°C
Bulb temperature	150	°C max
Altitude	120 000	ft max
	36.6	km max

Mechanical

Overall length	2.618 inches (66.5mm) max
Seated height	2.366 inches (60.1mm) max
Overall diameter	0.748 inch (19.0mm) max
Mounting position	any
Base	B.S.448-B7G

OUTLINE (All dimensions without limits are nominal)



Ref	Inches	Millimetres
A	2.618 max	66.5 max
B	0.748 max	19.0 max
C	2.366 max	60.1 max
D	0.281 max	7.14 max
E	0.040	1.02
F	0.375	9.53

Millimetre dimensions have been derived from inches.

Pin	Element
1	Anode
2	Cathode
3	Internal connection
4	Cathode
5	Anode
6	Internal connection
7	Cathode