

# —Standard Valves—

4278-A  
Valve

## 4278-A VALVE

TETRODE.

### SPECIFICATION.

#### Cathode.

Thoriated Tungsten filament.  
Constant voltage type.

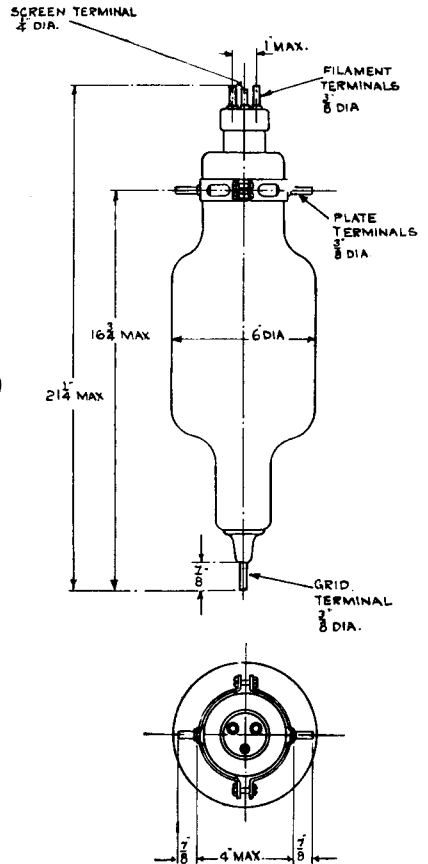
#### Dimensions.

Overall length  $21\frac{1}{4}$ " (54 cms.)  
Maximum diameter 6" (15.2 cms.)  
Net weight  $3\frac{1}{8}$  lbs. (1,500 gms.)

#### Constants.

Filament voltage 10 volts  
Nominal filament current 15.6 amps.  
Total emission 6 amps.  
\*Impedance 105,000 ohms  
\*Amplification factor 400  
Control grid-anode capacity 0.60  $\mu\mu\text{F}$ .  
Input capacity 31  $\mu\mu\text{F}$ .  
Output capacity 29.4  $\mu\mu\text{F}$ .

\* at  $V_p = 3,000$  volts,  $V_{g1} = 75$  volts.  
 $V_{g2} = 750$  volts.



### LIMITING CONDITIONS FOR SAFE OPERATION.

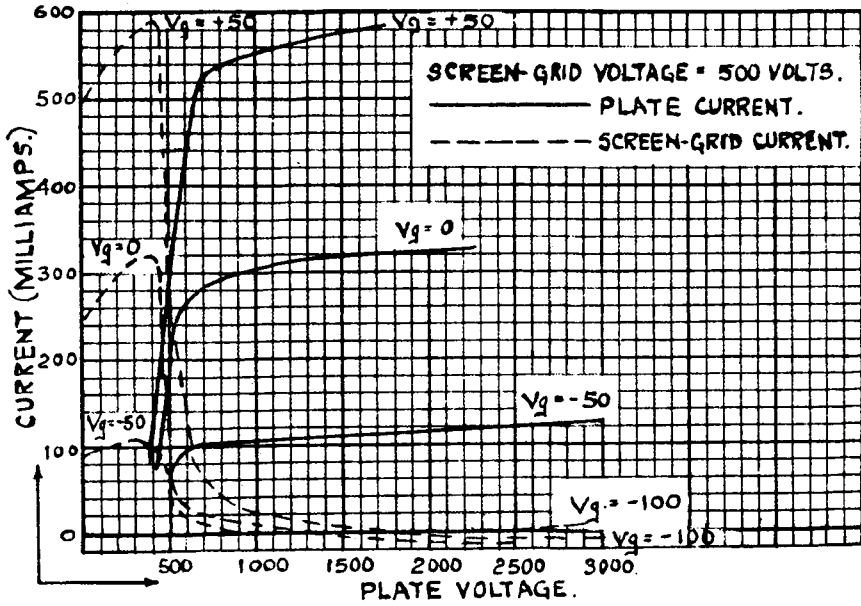
Maximum direct anode voltage	3,000 volts
Maximum screen-grid voltage	750 volts
Maximum direct anode current	0.600 amps.
Maximum anode dissipation	800 watts
Maximum screen-grid dissipation	75 watts
Maximum control-grid dissipation	50 watts
Maximum frequency for above ratings	30 Mc.
Maximum anode voltage for frequency of 50 Mc.	2,000 volts

V.4278-A-1  
Nov. 1937



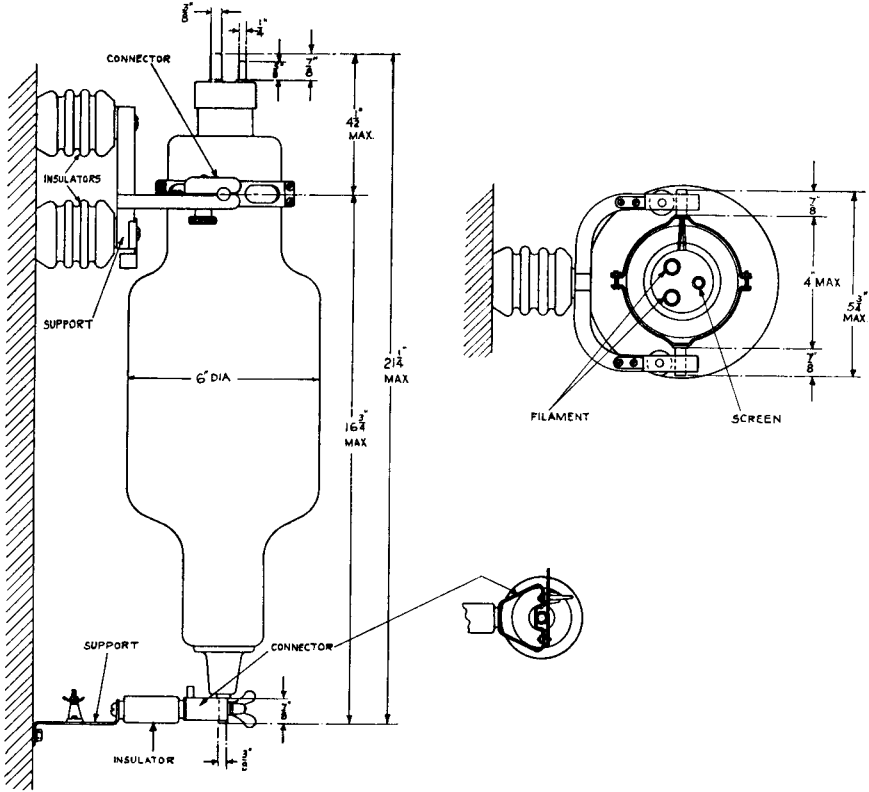
# —Standard Valves—

4278-A  
Valve



4278-A  
Valve

# —Standard Valves—



PRINTED IN  
ENGLAND