

Mullard PICTURE TUBE

MW22-3

PICTURE TUBE FOR TELEVISION RECEPTION

9 - Inch Screen

Heater	Vf = 2.0 V
	If = 1.2 A
Capacity	Cg approx. = 6.0 μuF ←
Fluorescent Colour	White
Deflection	Double Magnetic

Operating Conditions

Va	5000	V ←
Vg	0-55	V ←

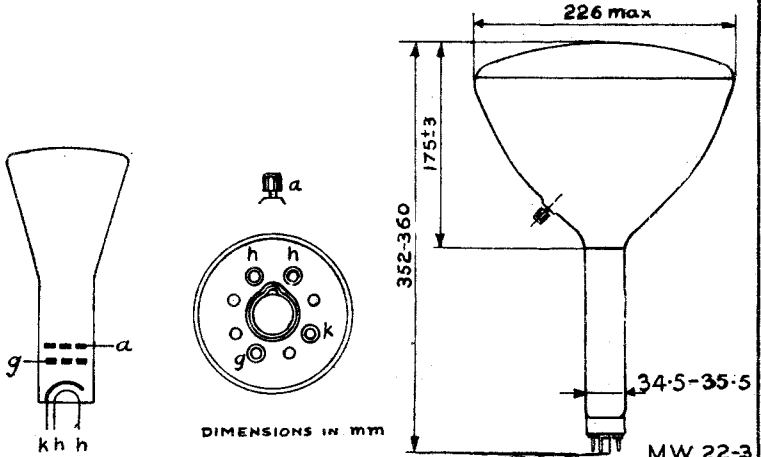
→ With centre of deflection coils 203 mm. from the screen, the deflection sensitivity is 0.09 Lmm. per gauss.

L = length of the electron path through the field of the deflection coil (mm.)

Limiting Values

Va max	5000	V
Ia max	0.1	mA
Screen dissipation (peak)	10	mW/cm ² ←
Screen dissipation (continuous)	2	mW/cm ² ←

Arrangement of electrodes and base connections.



MW 22-3

MW22-3

Mullard PICTURE TUBE

