

# engineering TUBE DATA

F-6925  
POWER TRIODE



*Components Division*

## DESCRIPTION

The F-6925 is a triode designed for use as a modulator, r-f amplifier, and oscillator. The anode is of heavy wall construction and is forced air cooled, capable of dissipating 3 kilowatts during Continuous Commercial Service.

## ELECTRICAL

Filament Voltage	13 volts
Filament Current	36 amperes
Amplification Factor	17
Direct Inter-electrode Capacitance	
Grid-Plate	21 $\mu$ f
Grid-Filament	18 $\mu$ f
Plate-Filament	1.9 $\mu$ f

## MECHANICAL

Mounting Position	Vertical, Anode up or down		
Type of Cooling	Forced Air		
Anode Air Flow Required			
Plate Dissipation - kw	3.0	2.4	1.8
Air Flow - cfm	190	125	75
Pressure - inches of water	1.21	.58	.26
Maximum Incoming Air Temperature			45°C
Maximum Glass Temperature			180°C

## MAXIMUM RATINGS AND TYPICAL OPERATING CONDITIONS

### R-F Power Amplifier and Oscillator - Class C

(Key down conditions per tube without Amplitude Modulation)

### Maximum Ratings, Absolute Values

D-C Plate Voltage	6.5 max. kv
D-C Grid Voltage	-1.2 max. kv
D-C Plate Current	2.0 max. amperes
D-C Grid Current	.250 max. amperes
Plate Input	12 max. kw
Plate Dissipation	3 max. kw

402



**COMPONENTS DIVISION**

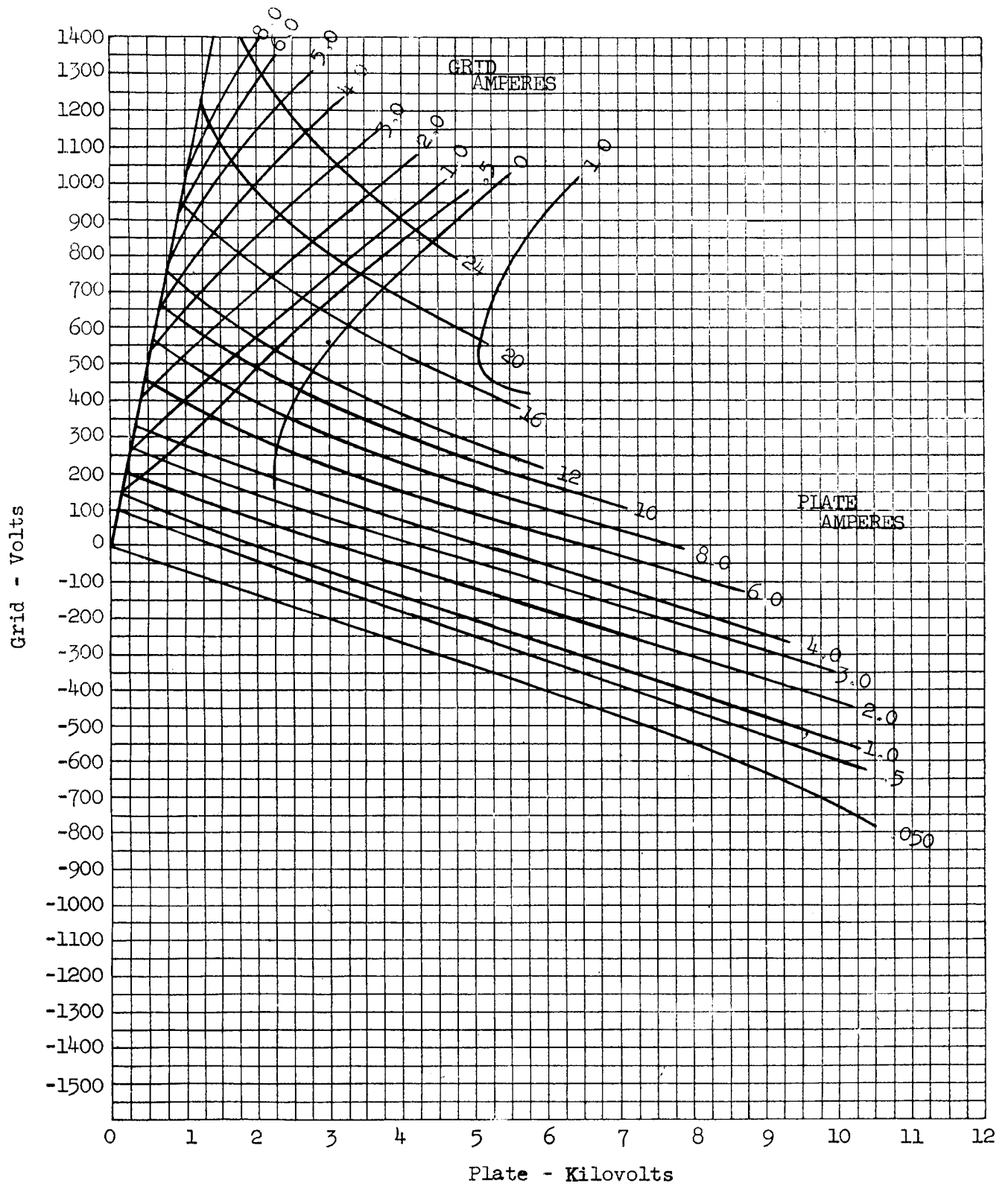
INTERNATIONAL TELEPHONE AND TELEGRAPH CORPORATION

P. O. BOX 412, CLIFTON, NEW JERSEY

Typical Operation

D-C Plate Voltage	2500	4000	6000 volts
D-C Grid Voltage	-600	-800	-1000 volts
Peak R-F Grid Voltage	1050	1300	1500 volts
Peak R-F Plate Voltage	1800	3000	5000 volts
D-C Plate Current	1.27	1.6	1.6 amperes
D-C Grid Current	.233	.230	.210 amperes
Driving Power, approx.	245	300	315 watts
Power Output, approx.	2.15	4.4	7.25 kw

This tube type is also available with 1/2" wide flexible copper leads, 6" long, attached two to a terminal.



CONSTANT CURRENT CHARACTERISTICS

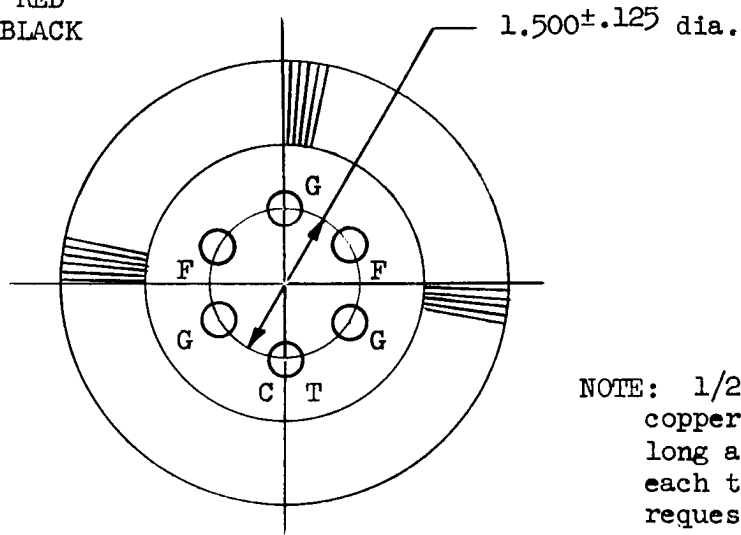
402

TYPES F-6925, F-6926 & F-6926J POWER TRIODES

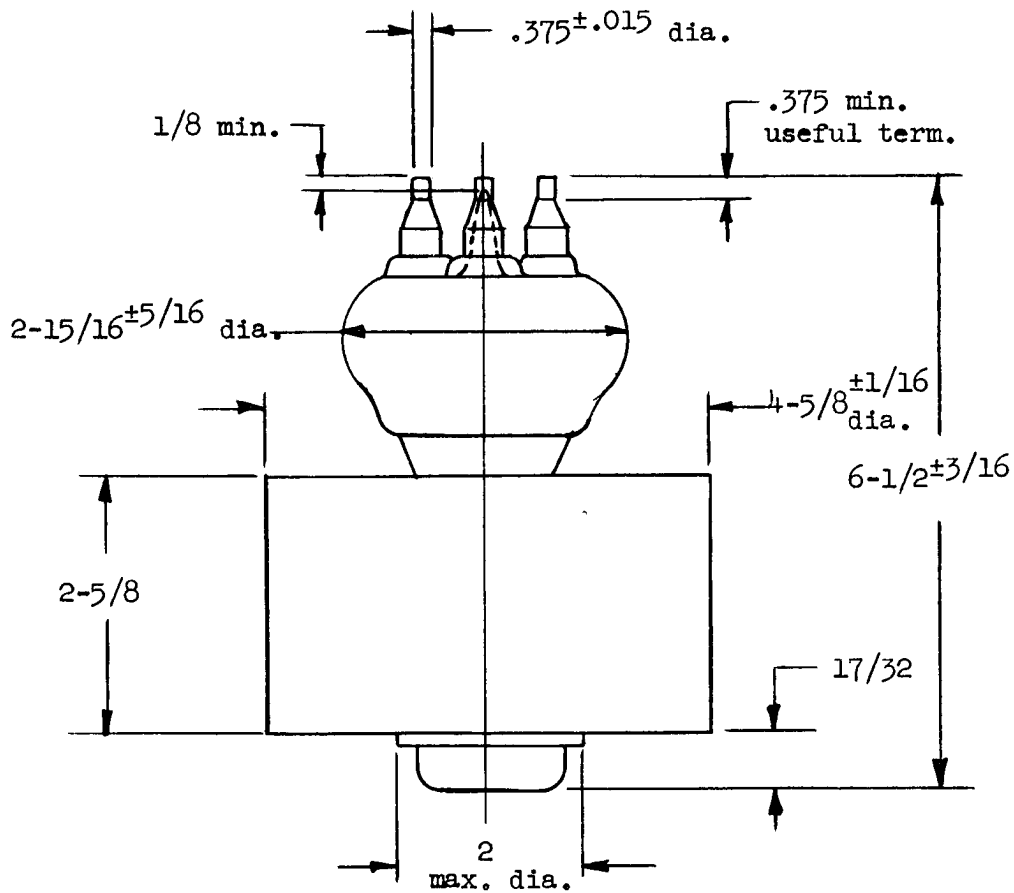
**ITT COMPONENTS DIVISION**  
 INTERNATIONAL TELEPHONE AND TELEGRAPH CORPORATION

P. O. BOX 412, CLIFTON, NEW JERSEY

FIL. TERM. --- YELLOW  
 FIL. TERM. CENT. --- RED  
 GRID TERM. --- BLACK



NOTE: 1/2" flexible copper lead 6" long available on each terminal upon request.



OUTLINE  
 TYPE F-6925 POWER TRIODE