

*not in handbook***MONITOR TUBE**

The M31-131W is a 31 cm-diagonal rectangular television tube with integral protection primarily intended for use as a monitor or display tube.

QUICK REFERENCE DATA

Deflection angle	90 °	
Focusing	electrostatic	
Resolution	900	lines
Overall length	max. 310	mm

SCREEN

Blue Binder, Tab 4

Metal backed phosphor		
Luminescence	white	
Light transmission of face glass	approx. 50	%
Useful diagonal	min. 295	mm
Useful width	min. 257	mm
Useful height	min. 195	mm

HEATING

Indirect by a. c. or d. c. ; parallel supply

Heater voltage	V_f	6,3	V
Heater current	I_f	300	mA

FOCUSING

electrostatic

For focusing voltage providing optimum focus at a beam current of 100 μ A see under "Typical operating conditions".

DEFLECTION

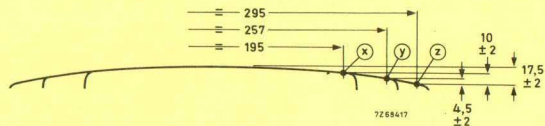
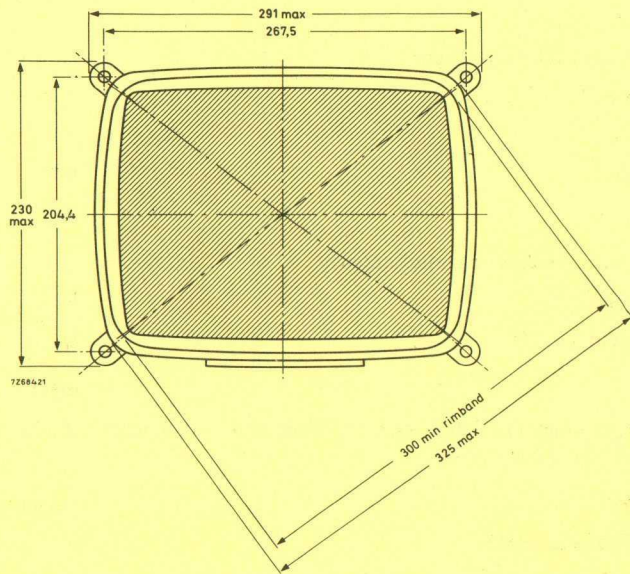
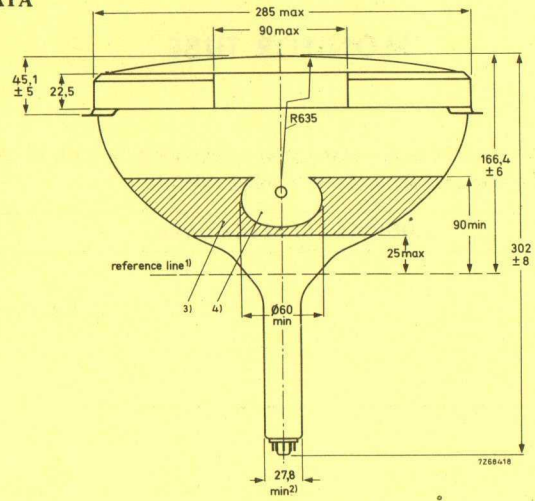
magnetic

Diagonal deflection angle 90 °

For a deflection coil please contact the local tube supplier.

MECHANICAL DATA

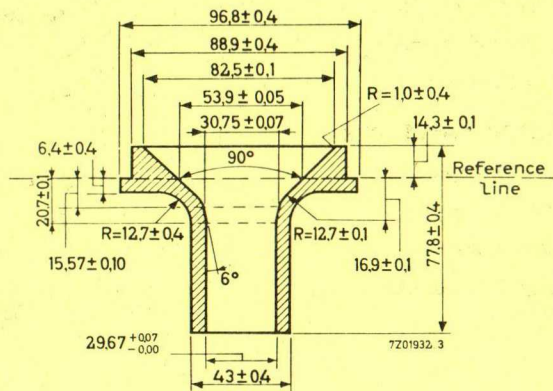
Dimensions in mm



Notes see page 4

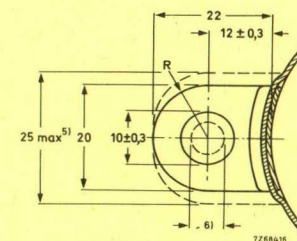
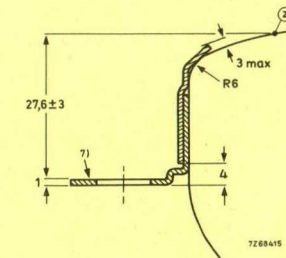
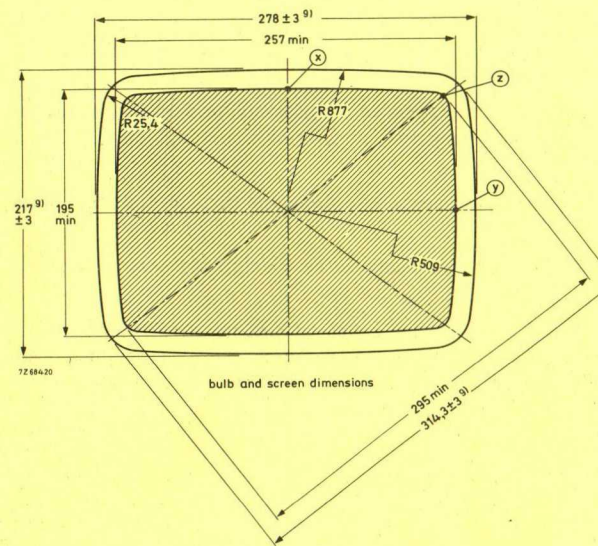
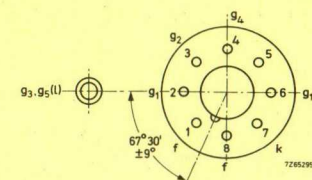
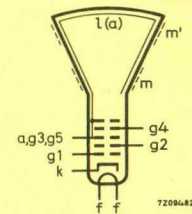
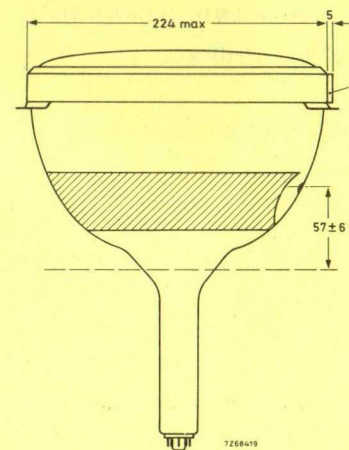
REFERENCE LINE GAUGE

Dimensions in mm



MECHANICAL DATA (continued)

Dimensions in mm



Notes see page 4