

VACUUM GAUGE HEAD, BAYARD-ALPERT TYPE

Nude, ultra-high vacuum gauge head of the Bayard-Alpert type.
Measuring range 10^{-3} torr to 10^{-10} torr; sensitivity approx. 12 per torr.

Type IOG-13T has a fernico skirt, prepared for easy welding.

The gauge head features a low thermal inertia and a low filament power consumption.

FOR THE ELECTRICAL DATA SEE TYPE IOG-12

MECHANICAL DATA

Dimensions in mm

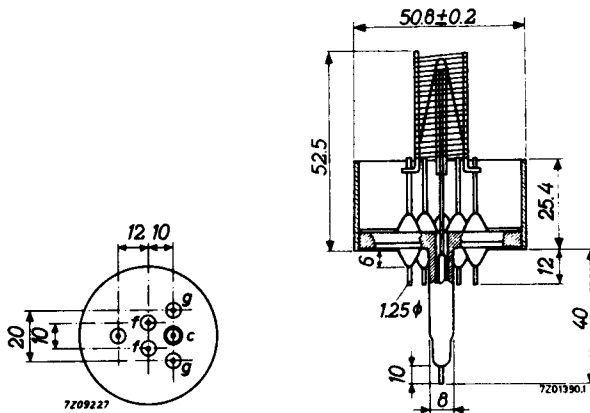
Material

Filament

Tungsten

Skirt

Fernico



Mounting position: any

PHILIPS

Data handbook



Electronic
components
and materials

IOG13T

page

1

2

sheet

1

FP

date

1970.01

2001.05.17