

VACUUM GAUGE HEAD, BAYARD-ALPERT TYPE

Ultra-high vacuum gauge head of the Bayard-Alpert type. Measuring range 10^{-3} torr to 4×10^{-11} torr; sensitivity approx. 12 per torr.

Type IOG-19N has a fernico skirt, prepared for easy welding.

The gauge head features a low thermal inertia and a low filament power consumption.

FOR THE ELECTRICAL DATA SEE TYPE IOG-18

MECHANICAL DATA

Material

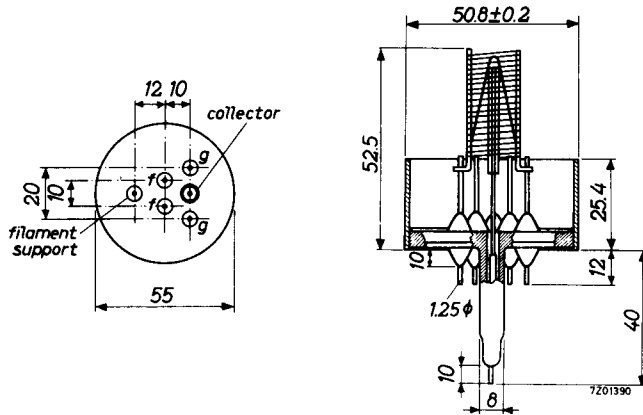
Filament

Tungsten

Skirt

Fernico

Mounting position: any



PHILIPS

Data handbook



Electronic
components
and materials

IOG19N

page

1
2

sheet

1
FP

date

1970.01
2001.05.17