

# DEVELOPMENT DATA

This data sheet contains advance information and specifications are subject to change without notice.

D18-180GY/127

## INSTRUMENT CATHODE-RAY TUBE

- mono accelerator
- 18 cm diagonal rectangular flat face
- dynamic deflection defocusing correction
- internal magnetic correction for astigmatism, vertical eccentricity and orthogonality
- low heater power consumption
- for oscilloscopes and general display up to 25 MHz bandwidth

### QUICK REFERENCE DATA

Accelerator voltage	$V_{g2,g4,g5(\ell)}$	2000		2500	V
Minimum useful scan area		120 mm x 96 mm			
Deflection coefficient					
horizontal	$M_x$	21		26	V/cm
vertical	$M_y$	15		19	V/cm

### OPTICAL DATA

Screen		
type	GY, colour green	
persistence	medium	
Useful screen area	$\geq 124$ mm x 100 mm; note 1	
Useful scan area	$\geq 120$ mm x 96 mm	
Internal graticule	type 127; see Fig. 4	

### HEATING

Indirect by a.c. or d.c.*		
Heater voltage	$V_f$	6,3 V
Heater current	$I_f$	0,1 A
Heating time to attain 10% of the cathode current at equilibrium conditions		approx. 7 s

\* Not to be connected in series with other tubes.

**MECHANICAL DATA****Dimensions and connections** (see also outline drawing)

Overall length (socket included)	≤ 324 mm
Faceplate dimensions	142 ± 0,5 mm x 118 ± 0,5 mm
Net mass	approx. 1,3 kg
Base	12-pin, all glass, JEDEC B12-246

**Mounting**

The tube can be mounted in any position. It must not be supported by the socket and not by the base region alone. The reference points on adjoining edges of the faceplate (see Fig. 4) enable the tube to be mounted accurately in the front panel, thus providing optimum alignment of the internal graticule.

**Accessories**

Socket with solder tags	type 55594
Socket with printed-wiring pins	type 55595
Mu-metal shield	to be established
Pin protector (required for shipping)	supplied with tube

**FOCUSING**

electrostatic

**DEFLECTION**

double electrostatic

x-plates

symmetrical

y-plates

symmetrical

If use is made of the full deflection capabilities of the tube the deflection plates will block part of the electron beam, hence a low impedance deflection plate drive is desirable.

**DYNAMIC DEFLECTION DEFOCUSING CORRECTION**

The tube has a special electrode, positioned between the x and y-plates, for dynamic correction of deflection defocusing, to improve the uniformity of the width of a vertical line up to the screen edges. If use is made of this dynamic correction, a negative voltage proportional to, and approx. 50% of, the negative horizontal deflection plate voltage should be applied to this electrode (grid 6).

The correction-circuit impedance must be  $\leq 100 \text{ k}\Omega$ . To prevent distortion, the output impedances of the x-amplifiers should be  $\leq 10 \text{ k}\Omega$ .

If no correction is required, grid 6 should be connected to mean x-plate potential ( $V_{g2(\ell)}$ ).

**CAPACITANCES (approx. values)**

DEVELOPMENT DATA

x<sub>1</sub> to all other elements except x<sub>2</sub>C<sub>x1(x2)</sub> 4,5 pFx<sub>2</sub> to all other elements except x<sub>1</sub>C<sub>x2(x1)</sub> 4,5 pFy<sub>1</sub> to all other elements except y<sub>2</sub>C<sub>y1(y2)</sub> 3,5 pFy<sub>2</sub> to all other elements except y<sub>1</sub>C<sub>y2(y1)</sub> 3,5 pFx<sub>1</sub> to x<sub>2</sub>C<sub>x1x2</sub> 2 pFy<sub>1</sub> to y<sub>2</sub>C<sub>y1y2</sub> 1 pF

Control grid to all other elements

C<sub>g1</sub> 5 pF

Cathode to all other elements

C<sub>k</sub> 2,7 pF

Grid 6 to all other elements

C<sub>g6</sub> 11 pF

## DIMENSIONS AND CONNECTIONS

Dimensions in mm

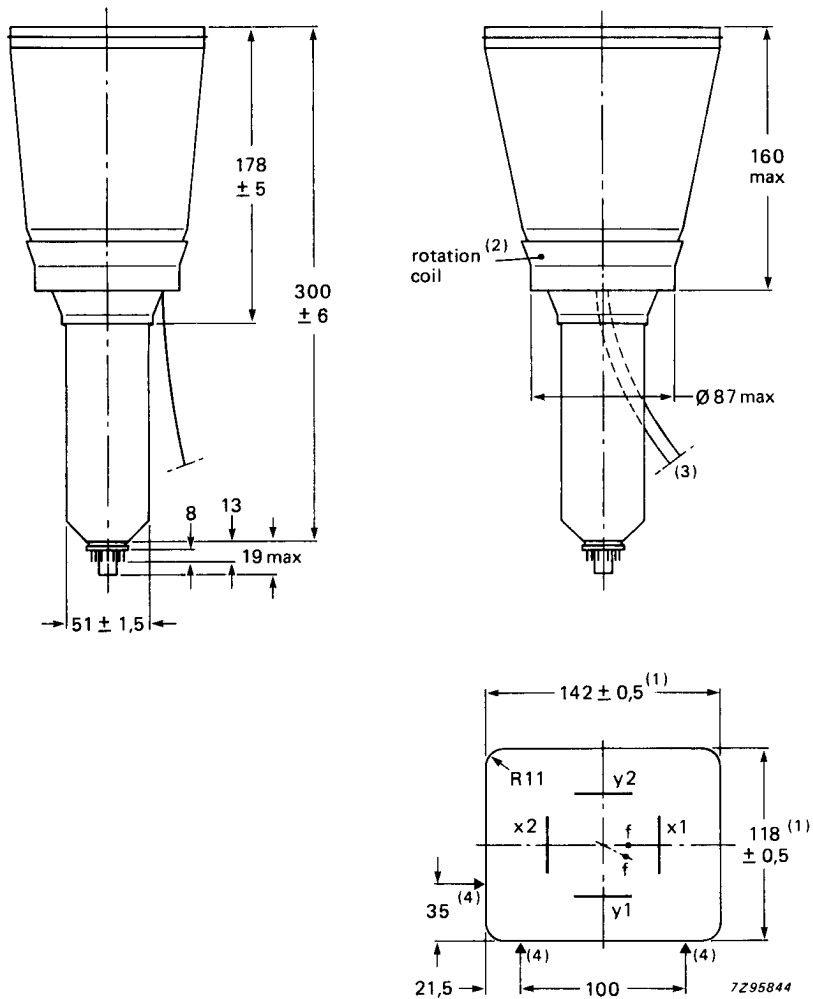


Fig. 1 Outlines.

- (1) Dimensions of faceplate only. The complete assembly of faceplate and cone (frit seal included) will pass through an opening of 146 mm x 122 mm (diagonal 182 mm).
- (2) The coil is fixed to the envelope with resin and adhesive tape.
- (3) The length of the connecting leads of the rotation coil is min. 350 mm.
- (4) Reference points on faceplate for graticule alignment (see Fig. 4).

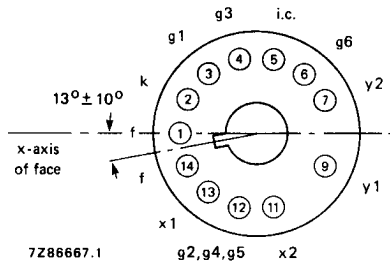


Fig. 2 Pin arrangement; bottom view.

DEVELOPMENT DATA

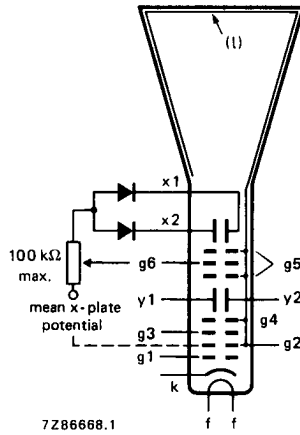


Fig. 3 Electrode configuration.

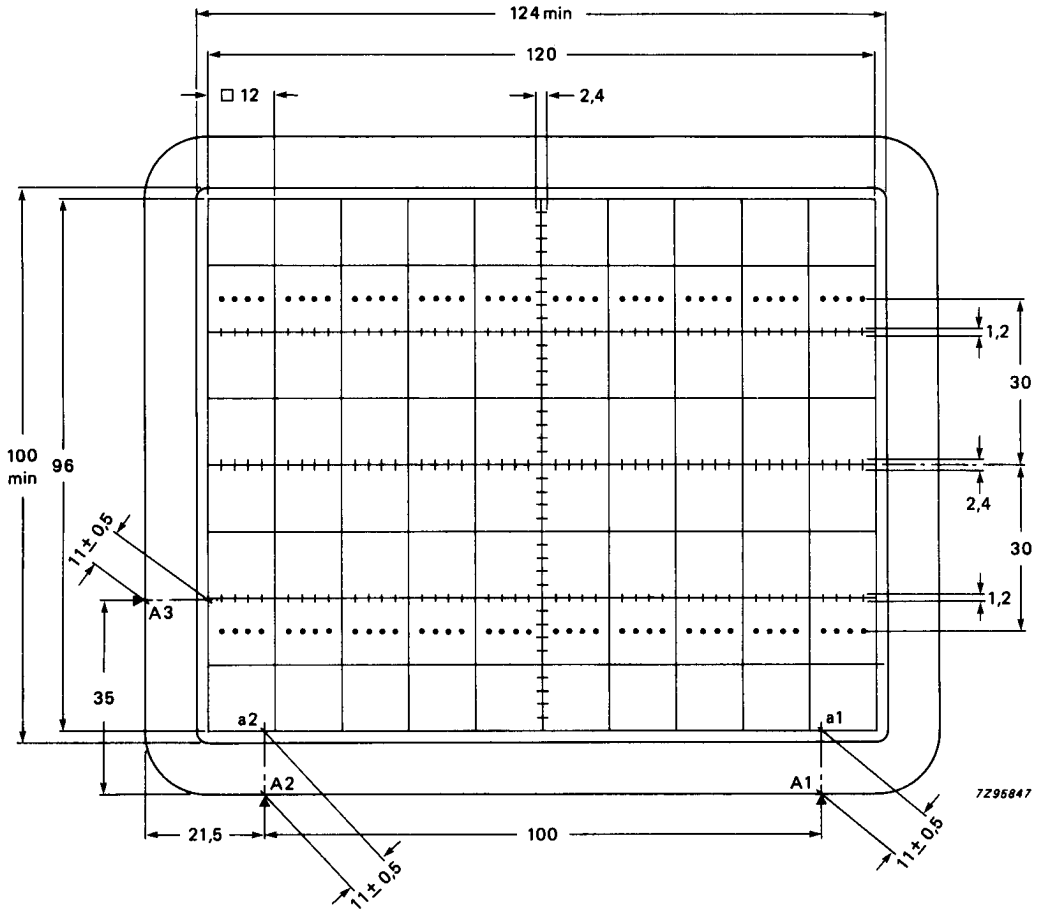


Fig. 4 Front view of tube with internal graticule, type 129. The faceplate reference points A1, A2 and A3 are used for aligning the graticule with the faceplate.

$|a1 - a2| \leq 0,4 \text{ mm}$ .

Line thickness = 0,2 mm; dot diameter = 0,4 mm; colour: red.

**TYPICAL OPERATION** (voltages with respect to cathode)

<b>Conditions</b>				note 2
Accelerator voltage	$V_{g2,g4,g5,(l)}$	2000	2500 V	
Astigmatism control voltage	$\Delta V_{g2,g4,g5,(l)}$	0	V	note 3
Focusing voltage	$V_{g3}$	220 to 350	275 to 440 V	note 4
Cut-off voltage for visual extinction of focused spot	$-V_{g1}$	22 to 65	27 to 81 V	note 5
<b>Performance</b>				
Deflection coefficient horizontal	$M_x$	21	26 V/cm	
		23	28,5 V/cm	
vertical	$M_y$	15	19 V/cm	
		16	21 V/cm	
Deviation of deflection linearity		2 %		note 6
Geometry distortion		see note 7		
Eccentricity of undeflected spot with respect to internal graticule		4 mm		note 3
		2 mm		note 3
Angle between x and y-traces		90°		note 3
Angle between x-trace and x-axis of the internal graticule		5°		note 8
Grid drive voltage for 10 $\mu$ A screen current	$V_d$	10 V		note 5
Line width	l.w.	0,3 mm		note 9

DEVELOPMENT DATA

**LIMITING VALUES** (Absolute maximum rating system)

Accelerator voltage	$V_{g2,g4,g5,(l)}$	max.	3000 V
Focusing voltage	$V_{g3}$	max.	3000 V
Voltage between accelerator electrode and grid 6	$V_{g2/g6}$	max.	$\pm 500$ V
Voltage between accelerator electrode and any deflection plate	$V_{g2/x/y}$	max.	$\pm 500$ V
Control grid voltage	$-V_{g1}$	max.	200 V
		min.	0 V
Cathode to heater voltage	positive	max.	125 V
		negative	max.
Heater voltage	$V_f$	max.	6,6 V
		min.	6,0 V
Grid drive voltage, averaged over 1 ms	$V_d$	max.	20 V
Screen dissipation	$W_{\varrho}$	max.	3 mW/cm <sup>2</sup>
Control grid circuit resistance	$R_{g1}$	max.	1 M $\Omega$

## NOTES

1. As the frit seal is visible through the faceplate, and not necessarily aligned with the internal graticule, application of an external passe-partout with open area of max. 124 mm x 100 mm is recommended. The internal graticule is aligned with the faceplate by using the faceplate reference points (see Fig. 4).
2. The mean x-plate potential and the mean y-plate potential should be equal to  $V_{g2,g4,g5(\ell)}$ .
3. The tube features internal magnetic correction for astigmatism, orthogonality and eccentricity calibration. Optimum spot is obtained if  $V_{g2,g4,g5(\ell)}$  is equal to mean y-potential.
4. An actual focus range of approx. 50 V should be provided on the front panel.  $V_{g3}$  decreases with increasing grid drive.
5. Intensity control on the front panel should be limited to the maximum useful screen current dependent on  $V_{g2,g4,g5(\ell)}$ . It is to be adjusted either by the grid drive (up to 30 V) or for maximum acceptable line width. The corresponding cathode current or  $I_{g2,g4,g5}$  (up to 500  $\mu$ A) depends on the cut-off voltage and cannot be used for control settings.
6. The sensitivity at a deflection of less than 75% of the useful scan will not differ from the sensitivity at a deflection of 25% of the useful scan by more than the indicated value.
7. A graticule consisting of concentric rectangles of 120 mm x 96 mm and 117 mm x 93 mm is aligned with the internal graticule. With optimum trace rotation correction the edges of a raster will fall between these rectangles.
8. The tube has a trace rotation coil, fixed onto the lower cone part. The coil has a maximum resistance of 240  $\Omega$  at 80  $^{\circ}$ C. The maximum required voltage is approx. 12 V for tube tolerances ( $\pm 5^{\circ}$ ) and earth magnetic field with reasonable shielding ( $\pm 2^{\circ}$ ).
9. Measured with the shrinking raster method within the useful scan under typical operating conditions, adjusted for optimum focus and dynamic correction applied.

As the construction of the tube does not permit a direct measurement of the beam current, this current should be determined as follows:

- a) Under typical operating conditions, apply a small raster display (no overscan), adjust  $V_{g1}$  for a beam current of approx. 10  $\mu$ A and adjust  $V_{g3}$  for smallest spot size at the centre of the screen. When measuring the beam current, grid 6 should be connected to  $g2$ -potential and the diodes should be disconnected from the x-plates.
- b) Under these conditions, but without raster, the deflection plate voltages should be changed to:  $V_{y1} = V_{y2} = 2000$  V;  $V_{x1} = 1300$  V;  $V_{x2} = 1700$  V, thus directing the total beam current to  $x_2$ . Measure the current on  $x_2$  and adjust  $V_{g1}$  for  $I_{x2} = 10$   $\mu$ A.
- c) Set again for the conditions under a), without touching the  $V_{g1}$  control. The screen current of the resulting raster display is now 10  $\mu$ A. Adjust  $V_{g3}$  for optimum focus in the centre of the screen and apply dynamic correction to grid 6 for optimum width of a vertical line.