

# DEVELOPMENT DATA

This data sheet contains advance information and specifications are subject to change without notice.

D18-190GH/127

## INSTRUMENT CATHODE-RAY TUBE

- 18 cm diagonal rectangular flat face
- domed mesh post-deflection acceleration
- internal magnetic lens system for correction of orthogonality, astigmatism and eccentricity
- quick-heating cathode
- internal graticule
- high sensitivity and high brightness
- short overall length
- for oscilloscopes and general display up to 100 MHz bandwidth

### QUICK REFERENCE DATA

Final accelerator voltage	$V_{g7(\ell)}$	16 kV
First accelerator voltage	$V_{g4}$	2 kV
Minimum useful scan area		120 mm x 96 mm
Deflection coefficient		
horizontal	$M_x$	6,4 V/cm
vertical	$M_y$	3,4 V/cm

### OPTICAL DATA

Screen	metal-backed phosphor
type	GH
colour	green
persistence	medium short
Useful screen area	$\geq 124$ mm x 100 mm; note 1
Useful scan area	$\geq 120$ mm x 96 mm
Internal graticule	type 127; see Fig. 4

### HEATING

Indirect by AC or DC\*

Heater voltage	$V_f$	6,3 V
Heater current	$I_f$	240 mA
Heating time to attain 10% of the cathode current at equilibrium conditions		approx. 5 s

\* Not to be connected in series with other tubes.

**MECHANICAL DATA****Dimensions and connections** (see also outline drawings)

Overall length (socket included)	≤ 348 mm
Faceplate dimensions	142 ± 0,5 mm x 118 ± 0,5 mm
Net mass	approx. 1,3 kg
Base	12 pin, all glass, JEDEC B12-246

**Mounting**

The tube can be mounted in any position. It must not be supported by the socket and not by the base region alone. The reference points on adjoining edges of the faceplate (see Fig. 4) enable the tube to be mounted accurately in the front panel, thus providing optimum alignment of the internal graticule.

**Accessories**

Pin protector (required for shipping)	supplied with tube
Socket with solder tags	type 55594
Socket with printed-wiring pins	type 55595
Final accelerator contact connector	type 55569/55597
Mu-metal shield	to be established

**FOCUSING**

electrostatic

**DEFLECTION**

double electrostatic

x-plates

symmetrical

y-plates

symmetrical

## CAPACITANCES

$x_1$ to all other elements except $x_2$	$C_{x1(x2)}$	4,8 pF
$x_2$ to all other elements except $x_1$	$C_{x2(x1)}$	3,6 pF
$y_1$ to all other elements except $y_2$	$C_{y1(y2)}$	3,0 pF
$y_2$ to all other elements except $y_1$	$C_{y2(y1)}$	3,0 pF
$x_1$ to $x_2$	$C_{x1x2}$	3,3 pF
$y_1$ to $y_2$	$C_{y1y2}$	1,4 pF
Control grid to all other elements	$C_{g1}$	6,5 pF
Cathode to all other elements	$C_k$	3,2 pF
Focusing electrode to all other elements	$C_{g3}$	8 pF

DEVELOPMENT DATA

DIMENSIONS AND CONNECTIONS

Dimensions in mm

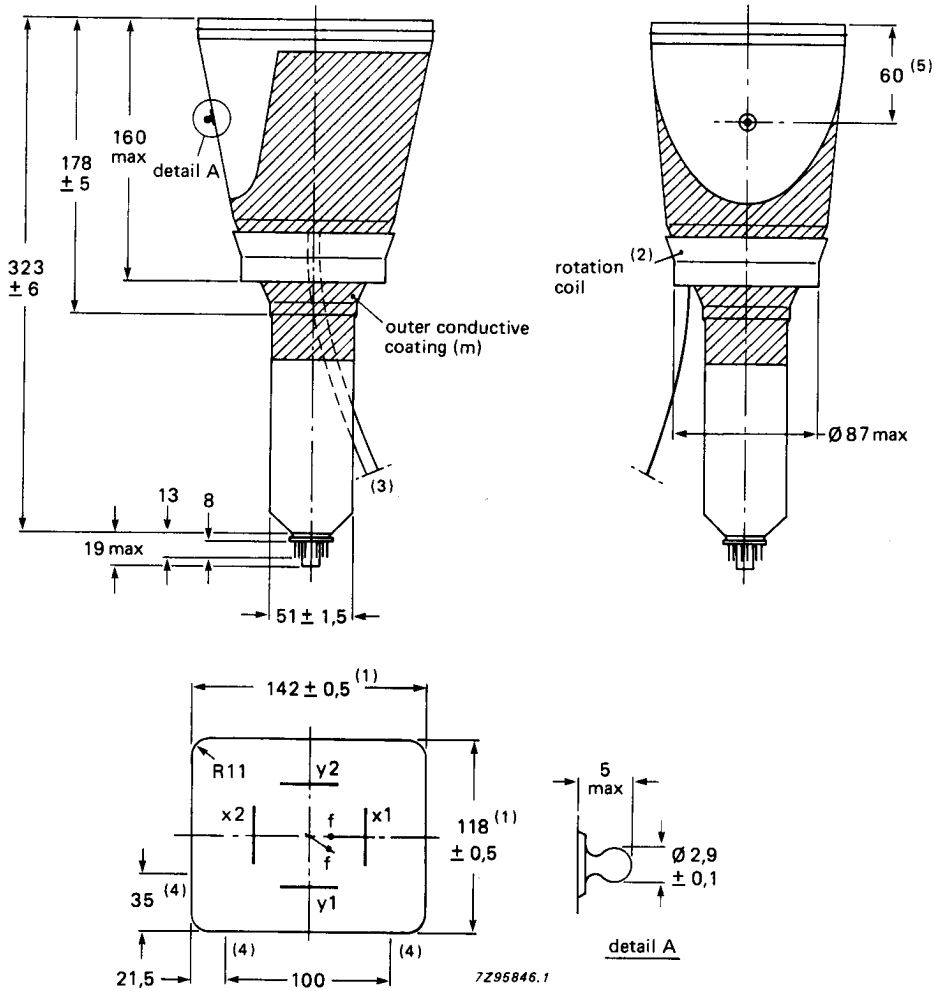


Fig. 1 Outlines.

1. Dimensions of faceplate only. The complete assembly of faceplate and cone (frit seal included) will pass through an opening of 146 mm x 122 mm (diagonal 182 mm).
2. The coil is fixed to the envelope with resin and adhesive tape.
3. The length of the connecting leads of the rotation coil is min. 350 mm.
4. Reference points on faceplate for graticule alignment (see Fig. 4).
5. The centre of the final accelerator contact is situated within a square of 10 mm x 10 mm around the indicated position.

DIMENSIONS AND CONNECTIONS (continued)

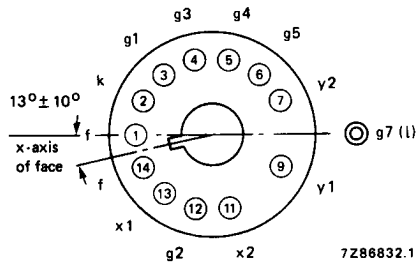
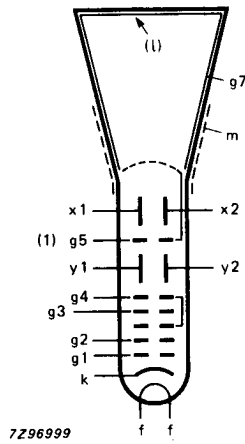


Fig. 2 Pin arrangement; bottom view.

DEVELOPMENT DATA



(1) G5 impedance to all other elements 25 kΩ maximum.

Fig. 3 Electrode configuration

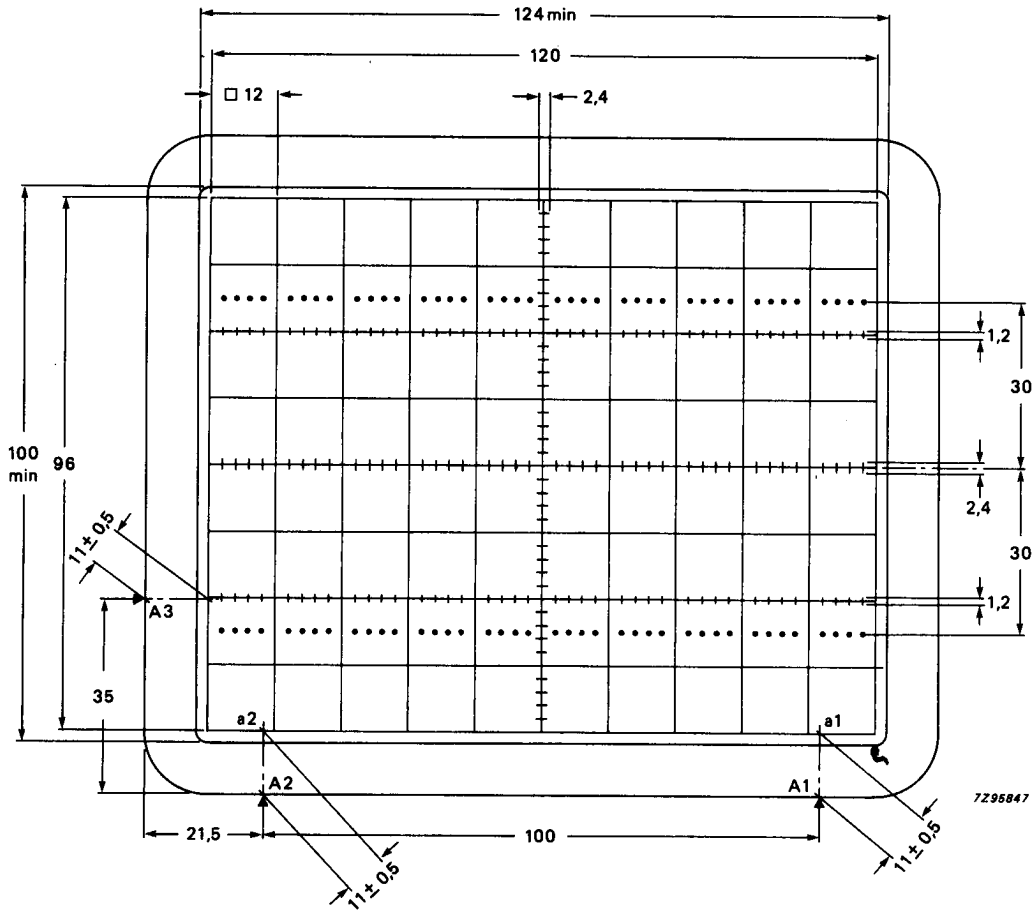


Fig. 4 Front view of tube with internal graticule, type 129. The faceplate reference points A1, A2 and A3 are used for aligning the graticule with the faceplate.  
 $|a1 - a2| \leq 0,4$  mm.

Line thickness = 0,2 mm; dot diameter = 0,4 mm; colour: red.

**TYPICAL OPERATION** (voltages with respect to cathode) \***Conditions**

Final accelerator voltage	$V_{g7(\ell)}$	16 kV
Mean deflection plate potential		2 kV note 2
Shield voltage for optimum geometry	$V_{g5}$	2 kV note 3
First accelerator and astigmatism control voltage	$V_{g4}$	2 kV note 3
Focusing voltage	$V_{g3}$	400 to 800 V
Grid 2 voltage	$V_{g2}$	2 kV
Cut-off voltage for visual extinction of focused spot	$-V_{g1}$	45 to 90 V

Outer conductive coating (m) and mu-metal shield to be earthed.

**Performance**

Horizontal deflection coefficient	$M_x$	6,4 V/cm $\pm$ 10%
Vertical deflection coefficient	$M_y$	3,4 V/cm $\pm$ 5%
Deviation of deflection linearity		$\leq$ 2% note 4
Geometry distortion		note 5
Eccentricity of undeflected spot		
in horizontal direction		$\leq$ 4 mm
in vertical direction		$\leq$ 2 mm
Angle between x- and y-traces		90° note 2
Angle between x-trace and x-axis of tube/graticule		$\leq$ 5° note 6
Luminance reduction with respect to screen centre		
x-axis, $\pm$ 60 mm scan		$\leq$ 30%
y-axis, $\pm$ 48 mm scan		$\leq$ 30%
any corner		$\leq$ 50%
Grid drive for 10 $\mu$ A screen current	$V_d$	approx. 20 V
Line width	l.w.	approx. 0,35 mm note 7

DEVELOPMENT DATA

**LIMITING VALUES (Absolute maximum rating system)**

Final accelerator voltage	$V_{g7(L)}$	max.	18 kV note 8
Shield voltage	$V_{g5}$	max.	3,3 kV
First accelerator and astigmatism control voltage	$V_{g4}$	max.	3,3 kV
Focusing electrode voltage	$V_{g3}$	max.	2,5 kV
Grid 2 voltage	$V_{g2}$	max.	3,3 kV
Control grid voltage	$-V_{g1}$	max. min.	200 V 0 V
Cathode to heater voltage			
positive	$V_{kf}$	max.	125 V
negative	$-V_{kf}$	max.	125 V
Heater voltage	$V_f$	max. min.	6,6 V 6,0 V
Voltage between g2 and g4	$\Delta V_{g2,g4}$	max.	2 kV
Voltage between g4,g5 and any deflection plate	$\Delta V_{g4,g5,x,y}$	max.	500 V
Grid drive, averaged over 1 ms	$V_d$	max.	25 V
Screen dissipation	$W_\ell$	max.	8 mW/cm <sup>2</sup>
Control grid circuit resistance	$R_{g1}$	max.	1 M $\Omega$



## NOTES

1. As the frit seal is visible through the faceplate, and not necessarily aligned with the internal graticule, application of an external passe-partout with open area of max. 124 mm x 100 mm is recommended. The internal graticule is aligned with the faceplate by using the faceplate reference points (see Fig. 4).
2. The deflection plates must be operated symmetrically; floating mean x- or y-potentials will result into non-uniform line width and geometry distortion. The mean x- and y-potentials should be equal; under this condition the tube will be within the specification without corrections for astigmatism and geometry.  
The tube features internal magnetic correction for orthogonality between x- and y-traces, spot shaping (astigmatism) and eccentricity calibration.
3. For some applications a mean x-potential up to 50 V positive with respect to mean y-potential is inevitable. In this case  $V_{g5}$  must be made equal to mean x-potential, and a range of 0 to -25 V with respect to mean y-potential will be required on  $g4$  for astigmatism correction. The circuit resistance for  $V_{g4}$  should be  $\leq 10 \text{ k}\Omega$ .
4. The sensitivity at a deflection of less than 75% of the useful scan will not differ from the sensitivity at a deflection of 25% of the useful scan by more than the indicated value.
5. A graticule consisting of concentric rectangles of 120 mm x 96 mm and 117,4 mm x 93,4 mm is aligned with the internal graticule. With optimum trace rotation correction the edges of a raster will fall between these rectangles.
6. The tube has a trace rotation coil, fixed onto the lower cone part. The coil has a maximum resistance of  $240 \Omega$  at  $80 \text{ }^\circ\text{C}$ . The maximum required voltage is approx. 13 V for tube tolerances ( $\pm 5^\circ$ ) and earth magnetic field with reasonable shielding ( $\pm 2^\circ$ ).
7. Measured with the shrinking raster method in the centre of the screen under typical operating conditions, adjusted for optimum spot size at a beam current  $I_\ell = 10 \mu\text{A}$ .
8. The X-ray dose rate remains below the acceptable value of 36 pA/kg (0,5 mR/h), when the tube is used within its limiting values (beam current  $I_\ell \leq 100 \mu\text{A}$ ).

DEVELOPMENT DATA