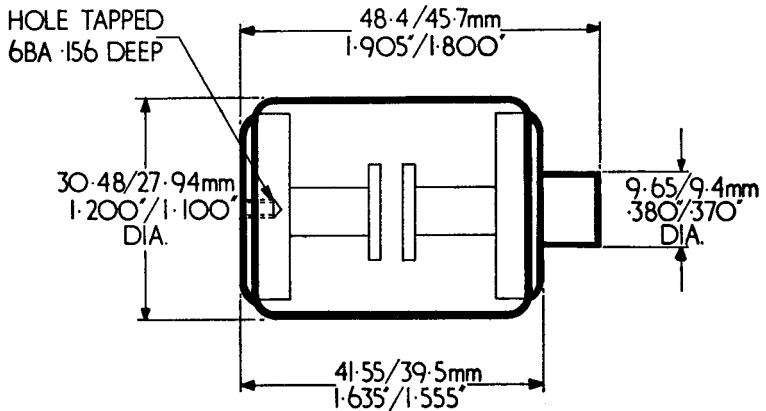


## Discharge Tube

GD2V

Breakdown Voltage	2 kV $\pm$ 100 V
Maximum discharge energy	16J
Maximum storage capacitor	8 $\mu$ F
Insulation at 1.5 kV	10M $\Omega$ min.



## NOTES

- (1) When the applied voltage has a very fast rise time, it is essential that some light reaches the tube. For slow capacitor charging waveforms, the tube may be used in complete darkness.
- (2) As supplied, the gap is symmetrical. Discharges introduce asymmetry, and the life will be shortened if the polarity is changed after some discharges have taken place.
- (3) The standard tube has one end cap and one tapped hole. End caps with threaded stud suitable for fitting into the tapped hole will be supplied on request.



