

**ML-6256**  
**ML-6257**  
**ML-6258**

**DESCRIPTION & RATINGS**

**DESCRIPTION**

The ML-6256, ML-6257, and ML-6258 are three-electrode tubes designed for induction and dielectric heating and FM broadcasting service. These tubes feature coaxial-electrode structures, ideal for circuits of the coaxial-cylinder type, and provide large-area, low inductance r-f electrode terminals. They are particularly suitable for cathode-drive operation. The ML-6256 and ML-6257 have water-cooled anodes capable

of dissipating 5 kW with a water flow of 3 gpm; the ML-6257 incorporates a water jacket as an integral part of the anode structure. The anode of the ML-6258 is forced-air cooled and is capable of dissipating 3 kW with an air flow of approximately 190 cfm. The cathode of each type is a thoriated-tungsten filament. Maximum ratings apply up to 40 Mc.

**GENERAL CHARACTERISTICS**

**Electrical**

Filament Voltage .....		12.6	Volts
Filament Current .....		29	Amps
Filament Starting Current, maximum .....		120	Amps
Filament Cold Resistance .....		.0053	Ohm
Amplification Factor .....		20	
Direct Interelectrode Capacitances	<b>ML-6256 &amp; ML-6257</b>	<b>ML-6258</b>	
Grid-Plate .....	19	20	uuf
Grid-Filament .....	18	18	uuf
Plate-Filament .....	0.6	0.7	uuf

**Mechanical**

Mounting Position		Vertical, anode down
ML-6256 & ML-6257 .....		Vertical, anode up or down
ML-6258 .....		Water and forced-air*
Type of Cooling — ML-6256 & ML-6257 .....		3-5 gpm
Water Flow on Anode for 5 kW Dissipation .....		70 °C
Maximum Outgoing Water Temperature .....		Forced-air
Type of Cooling — ML-6258 .....		190 cfm at 1.2" water
Air Flow on Anode for 3 kW Dissipation .....		See Note
Air Flow on Glass and Seals .....		45 °C
Maximum Incoming Air Temperature .....		165 °C
Maximum Glass Temperature .....		
Net Weight, approximate		
ML-6256 .....		1.5 lbs.
ML-6257 .....		1.75 lbs.
ML-6258 .....		5.25 lbs.

\*Note: At frequencies up to 15 Mc, normal cabinet ventilation should be sufficient to cool the glass portions of the tube. At higher frequencies or high ambient temperatures, auxiliary air flow in the order of 10 cfm may be required and should be distributed to maintain uniform glass temperature, not greater than 165°C, around the circumference of the seals.

MAXIMUM RATINGS AND TYPICAL OPERATING CONDITIONS

R-F Power Amplifier and Oscillator—Class C

Key-down conditions per tube without amplitude modulation‡

Maximum Ratings, Absolute Values

	ML-6256 & ML-6257	ML-6258	
D-C Plate Voltage	6000	6000	volts
D-C Grid Voltage	-1500	-1500	volts
D-C Plate Current	1.5	1.5	amps
D-C Grid Current	200	200	mA
Plate Input	7	7	kW
Plate Dissipation	5	3	kW

Typical Operation (Values apply to all three tube types)

R-F Oscillator, Grid-Drive Circuit

D-C Plate Voltage	4200	5300	volts
D-C Grid Voltage	-400	-500	volts
Peak R-F Grid Voltage	720	850	volts
Peak R-F Plate Voltage	3100	4000	volts
D-C Plate Current	1.1	1.3	amps
D-C Grid Current	110	110	mA
R-F Load Resistance	1600	1750	ohms
Power Output, approximate	3.0	4.5	kW

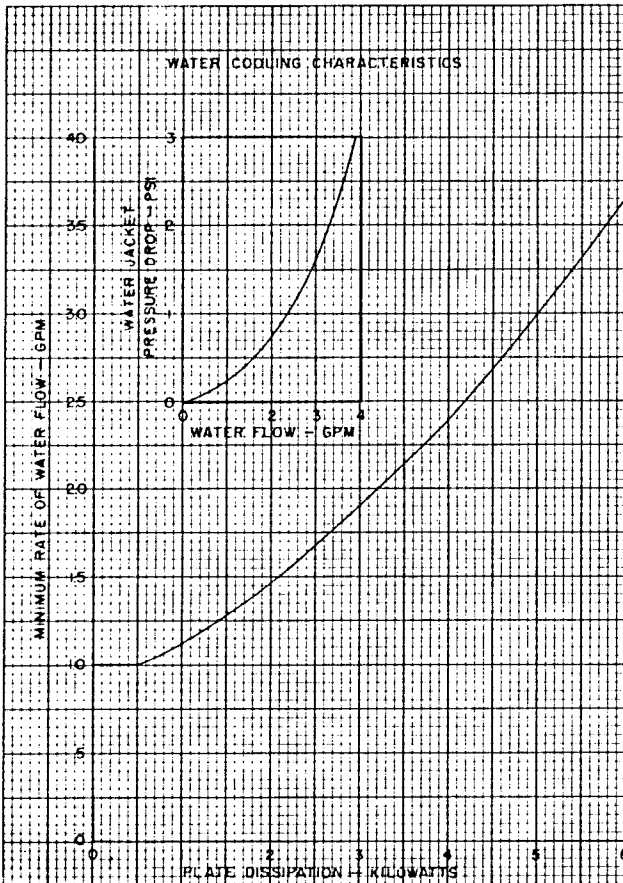
R-F Amplifier, Cathode-Drive Circuit — 110 Mc

D-C Plate Voltage	5000	volts
D-C Grid Voltage	-500	volts
Peak R-F Grid Voltage	870	volts
Peak R-F Plate Voltage	3900	volts
D-C Plate Current	1.3	amps
D-C Grid Current	150	mA
R-F Load Resistance	2050	ohms
Driving Power, approximate	1100	watts
Power Output, approximate*	5.5	kW

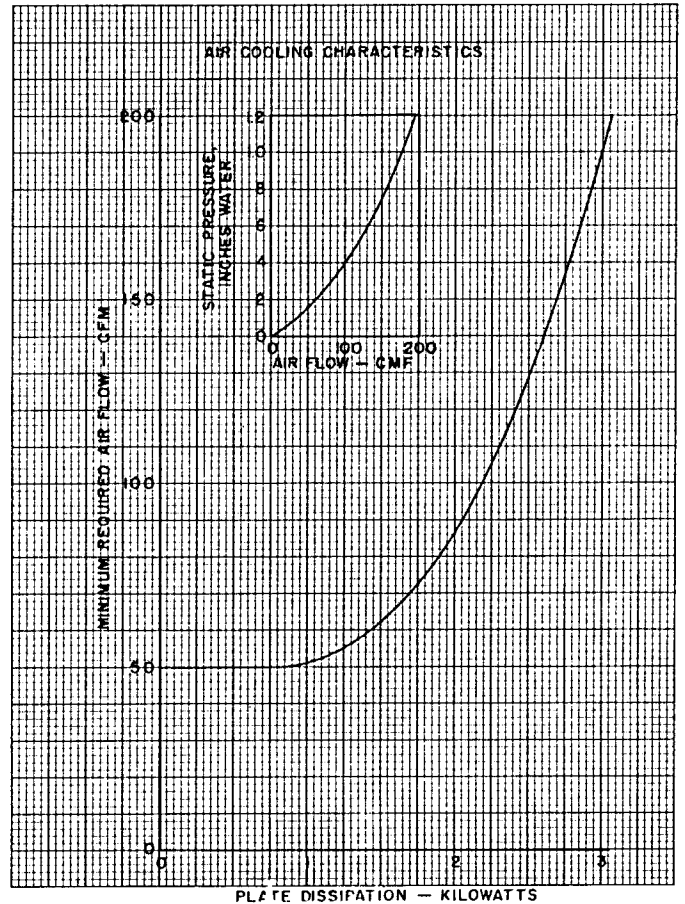
‡ Modulation essentially negative may be used if the positive peak of the envelope does not exceed 115% of the carrier conditions.

\* Includes power transferred from driver stage.

ML-6256 & ML-6257

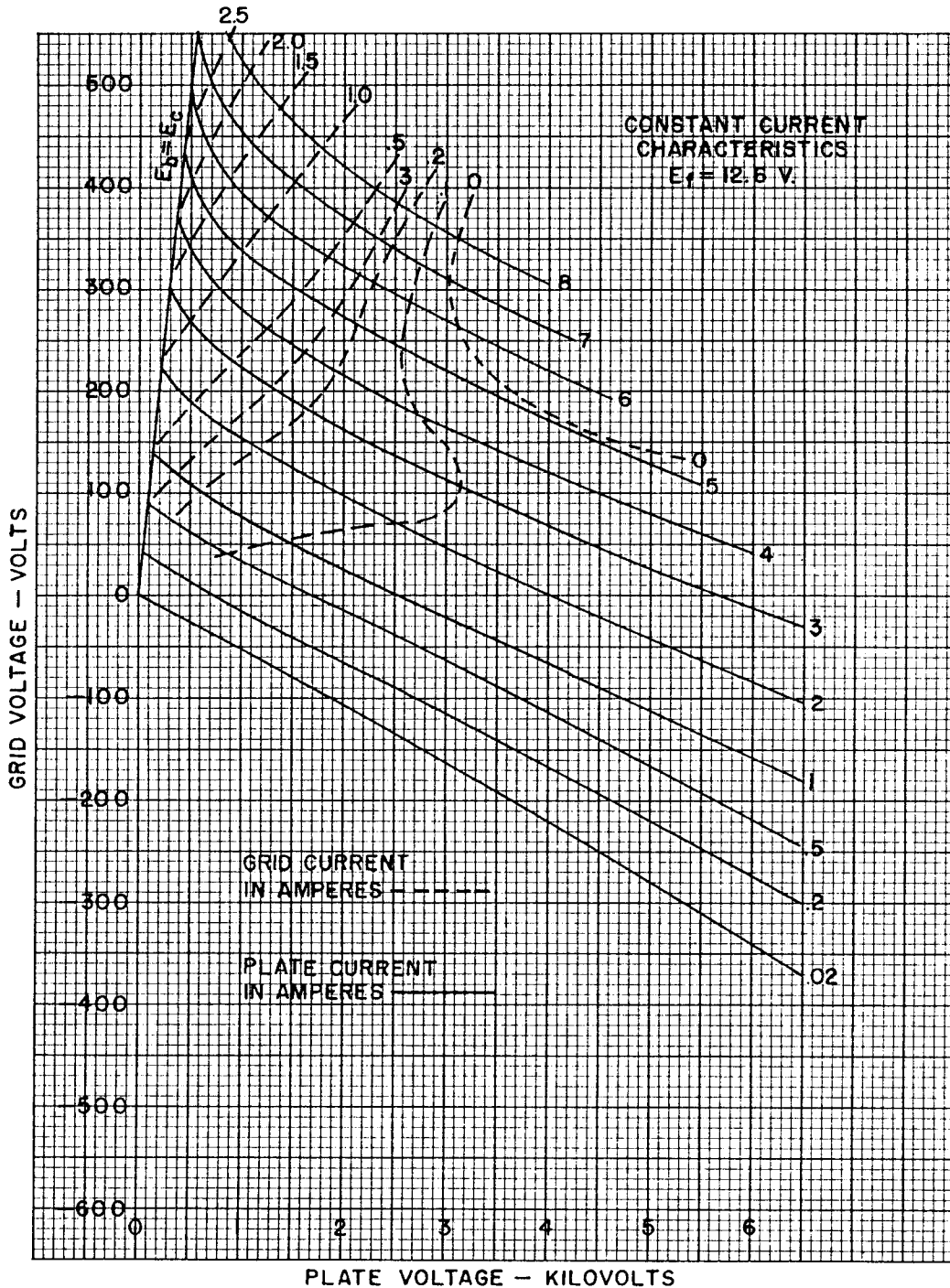


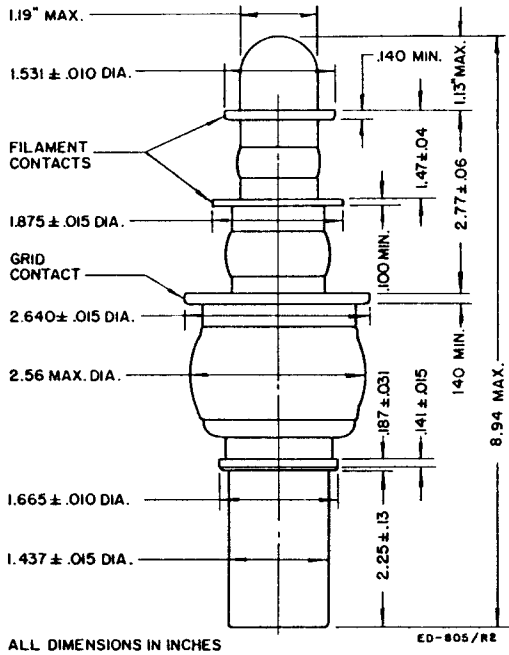
ML-6258



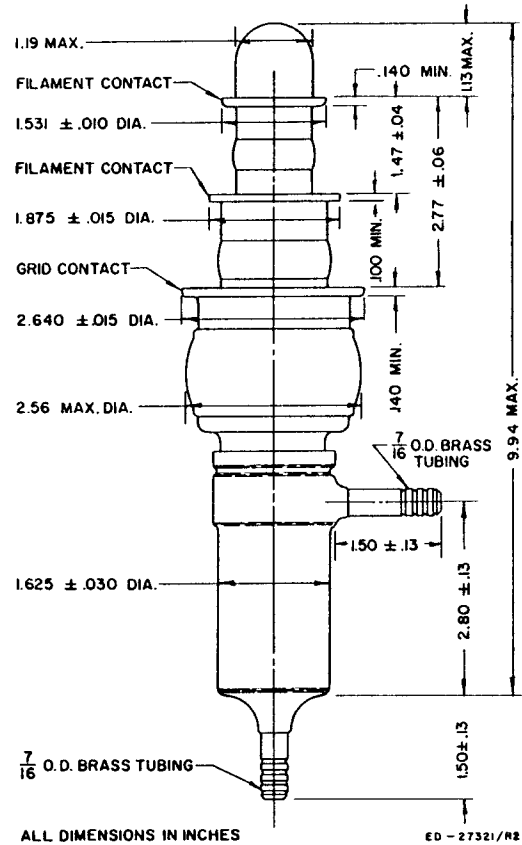
CHARACTERISTIC RANGE VALUES FOR EQUIPMENT DESIGN

Characteristics	Conditions		Limits		Maximum
			Minimum	Bogey	
Grid Voltage	$e_b = 1000$ volts; $i_b = 6$ amps	$e_c$ :	—	—	470 volts
Grid Current	$e_b = 1000$ volts; $i_b = 6$ amps	$i_c$ :	—	—	1.6 amps
Plate Voltage	$E_c = 0$ Vdc; $I_b = 0.5$ Adc	$E_b$ :	1.4	1.9	2.2 kVdc
Plate Voltage	$E_c = -100$ Vdc; $I_b = 0.5$ Adc	$E_b$ :	3.4	3.9	4.4 kVdc
Grid Voltage	$E_b = 5.0$ kVdc; $I_b = 0.02$ Adc	$E_c$ :	-220	-270	-320 Vdc
Plate Power Output	$E_b = 5.3$ kVdc; $E_c = -500$ Vdc $I_b = 1.3$ Adc; $I_c = 110$ mAdc	$P_o$ :	3.9	—	— kW

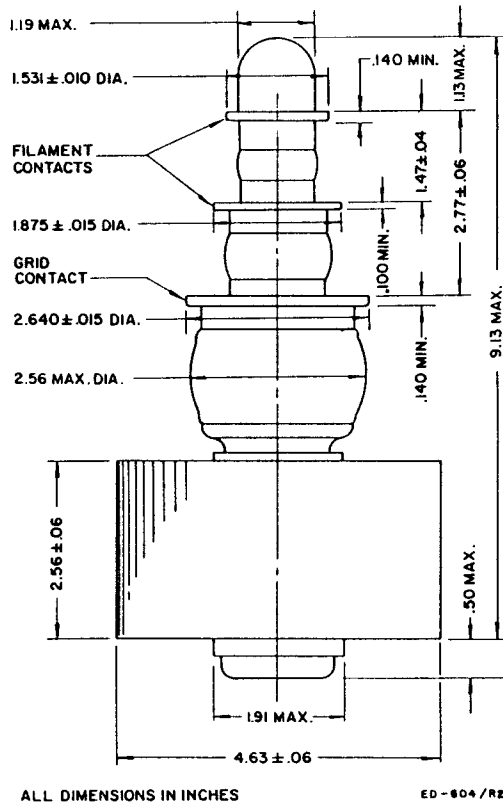




DIMENSIONS — ML-6256



DIMENSIONS — ML-6257



DIMENSIONS — ML-6258

**THE MACHLETT LABORATORIES, INC.**

a division of Raytheon Company

SPRINGDALE



CONNECTICUT

U. S. A.