

## Beam Power Tube

### CERMOLOX

RF Power Amplifier and Oscillator to 1215 MHz

Matrix-Type Cathode	340 Watts CW Power Output
105 Watts CW Power	at 400 MHz
Output at 1215 MHz	Conduction Cooled

### ELECTRICAL

Heater for Matrix-Type Oxide-Coated

Unipotential Cathode:

Voltage (ac or dc)	6.3	V
Current at 6.3 volts	3.2	A
Minimum heating time	60	s
Mu-Factor, Grid No.2 to Grid No.1	18	

### MAXIMUM CCS RATINGS, Absolute-Maximum Values:

Up to 1215 MHz

DC Plate Voltage	2500	V
DC Grid-No.2 Voltage	400	V
DC Grid-No.1 Voltage	-200	V
DC Plate Current	250	mA
Plate Dissipation	300	W

### MECHANICAL

Operating Position	Any
Weight (Approx.)	4 oz (0.1 kg)

### THERMAL

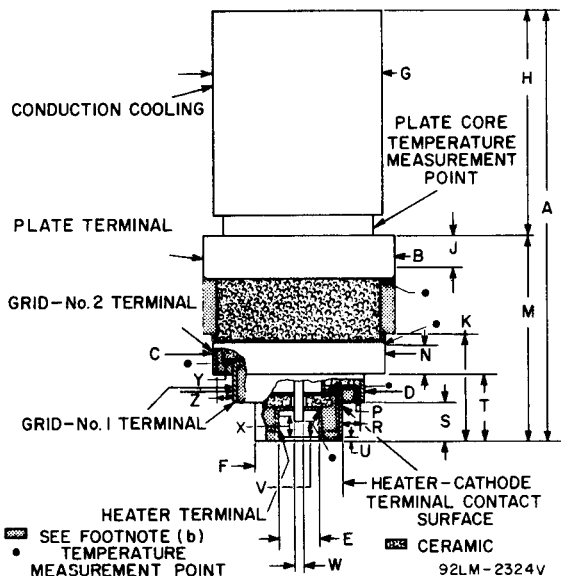
Terminal Temperature (Plate, grid No.2, grid No.1, cathode and heater)	250 max.	°C
Plate-Core Temperature	250 max.	°C

<sup>a</sup> See *Dimensional Outline* for Temperature Measurement Points.

<sup>b</sup> Keep all stippled regions clear. Do not allow contacts or circuit components to protrude into these annular regions.

Detailed performance and application information is available through your RCA Sales Office, Distributor, or write to RCA Commercial Engineering, Harrison, NJ 07029.

## DIMENSIONAL OUTLINE



DI-MEN-SION	INCHES	MILLIMETERS	DI-MEN-SION	INCHES	MILLIMETERS
A	2.650 ± .090	67.31 ± 2.29	N	0.140 Min.	3.56 Min.
B Dia.	1.085 Min.	27.56 Min.	P	0.120 Min.	3.05 Min.
C Dia.	0.985 Min.	25.02 Min.	R	0.095 Min.	2.41 Min.
D Dia.	0.735 Min.	18.67 Min.	S	0.175 ± .015	4.45 ± .38
E Dia.	0.260 Max.	6.60 Max.	T	0.370 ± .020	9.40 ± .51
F Dia.	0.480 Min.	12.19 Min.	U	0.025 ± .025	0.64 ± .64
G Dia.	0.990 ± .005	25.15 ± .13	V	0.054 Min.	1.37 Min.
H	1.355 Min.	34.42 Min.	W	0.070 Max.	1.78 Max.
J	0.165 Min.	4.19 Min.	X	0.100 Min.	2.54 Min.
K	0.600 Min.	15.24 Min.	Y	0.060 Min.	13.24 Min.
M	1.230 ± .030	31.24 ± .76	Z	0.090 Min.	22.86 Min.