



5561

5561

HALF-WAVE MERCURY-VAPOR RECTIFIER

DATA**Electrical:**

Heater, for Unipotential Cathode:

Voltage*	5	volts
Current	10	amp
Peak Voltage Drop(Approx.)	15	volts

Mechanical:

Mounting Position	Vertical, Base Down
Overall Length	11" ± 1/4 "
Maximum Diameter	3-13/16"
Bulb	ST-30
Cap	3917
Base	Large Metal-Shell Super-Jumbo 4-Pin, Bayonet

Maximum Ratings, Absolute Values:

	Continuous <u>Service</u>	Welder- Control <u>Service</u>	
PEAK INVERSE ANODE VOLTAGE	3000 max.	10000 max.	volts
INSTANTANEOUS ANODE CURRENT:			
Below 25 Cycles	12.8 max.	8 max.	amp
25 Cycles and Higher	40 max.	16 max.	amp
AVERAGE ANODE CURRENT#	6.4 max.	4 max.	amp
SURGE ANODE CURRENT for			
0.1 sec. max.	200 max.	80 max.	amp
COND.-MERCURY TEMP. RANGE [□]	40 - 80	25 - 50	°C

* Heater voltage must be applied at least 5 minutes before anode voltage is applied.

Averaged over any 15-second interval.

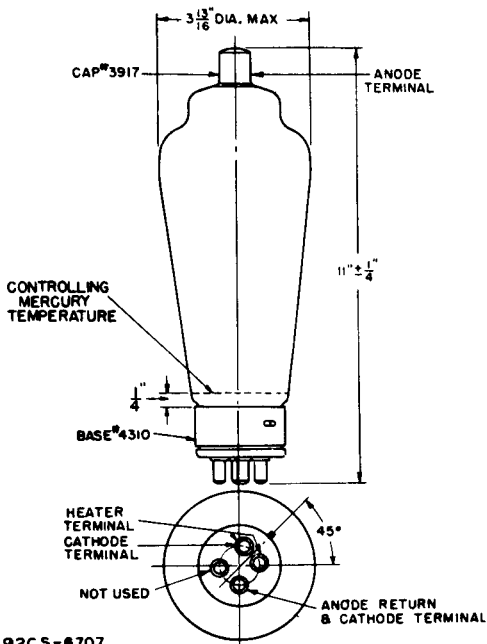
□ Recommended condensed-mercury temperature 40°C.

5561



5561

HALF-WAVE MERCURY-VAPOR RECTIFIER



92CS-6707