



559

559

# LIGHTHOUSE DIODE

## GENERAL DATA

### Electrical:

Heater for Unipotential Cathode:

Voltage . . . . . 6.3 ± 5% . . . . . ac or dc volts

Current . . . . . 0.75 . . . . . amp.

Direct Interelectrode Capacitance (Approx.):

Plate to Cathode . . . . . 2.70 . . . . . μf

### Mechanical:

Operating Position . . . . . Any

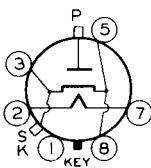
Mounting . . . . . Tube should be supported by its metal shell and not by its base or other terminals

Dimensions and Terminals . . . . . See Outline Drawing

Base . . . . . Small H-Wafer Octal 6-Pin

BOTTOM VIEW

- Pin 1 - Internal Con.  
Do Not Use
- Pin 2 - Heater
- Pin 3 - Cathode
- Pin 5 - Cathode
- Pin 7 - Heater
- Pin 8 - Cathode



- Shell } { Cathode
- (S) } { RF Terminal
- Disc } { Plate
- Terminal

## HALF-WAVE RECTIFIER

### Maximum Ratings, Design-Center Values:

PEAK INVERSE PLATE VOLTAGE . . . . . 200 max. volts

PEAK PLATE CURRENT . . . . . 180 max. ma.

AVERAGE PLATE CURRENT . . . . . 27 max. ma.

PEAK HEATER-CATHODE VOLTAGE:

Heater negative with respect to cathode. . . . . 90 max. volts

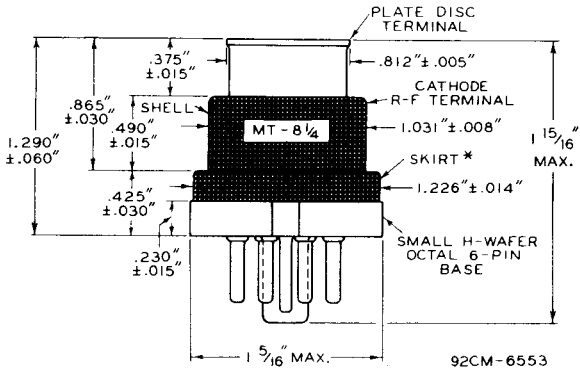
Heater positive with respect to cathode. . . . . 90 max. volts

PLATE-SEAL TEMPERATURE\* . . . . . 150 max. °C

\* Under extremely high ambient temperature, the plate-seal temperature must never exceed 200°C.



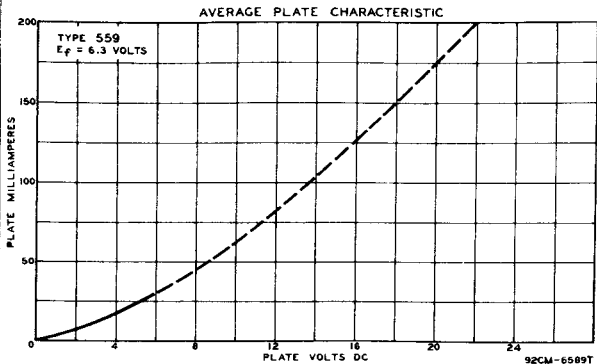
## LIGHTHOUSE DIODE



MAXIMUM ECCENTRICITY OF  $\bar{C}$  (AXIS) OF THE FOLLOWING ITEMS WITH RESPECT TO  $\bar{C}$  OF SHELL AS REFERENCE IS:

PLATE DISC TERMINAL: 0.020"  
SKIRT: 0.035"

\*NOT TO BE USED FOR RF CONTACT IN NEW EQUIPMENT DESIGNS.





559

AVERAGE CHARACTERISTICS  
HALF-WAVE RECTIFICATION