

Photomultiplier Tube

9-STAGE, SIDE-ON TYPE HAVING S-4 RESPONSE

For DC-Operated Control Applications Such
as Automobile-Headlight Control

GENERAL

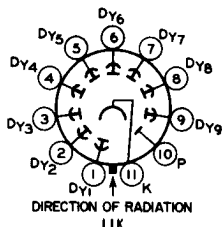
Spectral Response.	S-4
Wavelength of Maximum Response	4000 ± 500 angstroms
Cathode, Opaque.	Cs-Sb ←
Minimum projected length ^a	0.93 in
Minimum projected width ^a	0.31 in
Window	Lime Glass, (Corning ^b No.0080), or equivalent ←
Dynode Material.	Cs-Sb ←
Direct Interelectrode Capacitances (Approx.)	
Anode to dynode No.9	4.2 pF
Anode to all other electrodes.	5.5 pF
Maximum Overall Length	3.12 in
Maximum Seated Length.	2.69 in
Length	1.56 ± 0.09 in
From base seat to center of useful cathode area	
Maximum Diameter	1.31 in
Operating Position	Any
Weight (Approx.)	1.6 oz
Envelope	JEDEC T9
Base	Small-Shell Neosubmagnal 11-Pin (JEDEC No. B11-104), Non-hygroscopic
Socket	Amphenol ^c No.78S11T, or equivalent
Magnetic Shield.	Millen ^d No.80801B, or equivalent

ABSOLUTE-MAXIMUM RATINGS

DC Supply Voltage	
Between anode and cathode.	1250 V
Between dynode No.9 and anode.	250 V
Between consecutive dynodes.	250 V ←
Between dynode No.1 and cathode.	250 V ←
Average Anode Current ^e	0.1 mA
Ambient Temperature.	75 °C

TERMINAL DIAGRAM (Bottom View)

- Pin 1 - Dynode No.1
- Pin 2 - Dynode No.2
- Pin 3 - Dynode No.3
- Pin 4 - Dynode No.4
- Pin 5 - Dynode No.5
- Pin 6 - Dynode No.6
- Pin 7 - Dynode No.7
- Pin 8 - Dynode No.8
- Pin 9 - Dynode No.9
- Pin 10 - Anode
- Pin 11 - Photocathode



← Indicates a change.



CHARACTERISTICS RANGE VALUES

Under conditions with dc supply voltage (E) across a voltage divider providing 1/10 of E between cathode and dynode No.1; 1/10 of E for each succeeding dynode stage; and 1/10 of E between dynode No.9 and anode.

With E = 1000 V (except as noted)

	Min	Typ	Max	
Sensitivity				
→ Radiant, at 4000 angstroms.	-	3.4x10 ⁴	-	A/W
Luminous, at 0 c/s ^f	-	34	-	A/lm
→ Electrode Dark Current				
At 25°C				
At anode.	-	-	1 x 10 ⁻⁷	A
At any other electrode.	-	-	7.5x10 ⁻⁷	A

With E = Adjustable dc voltage

	Min	Typ	Max	
Anode-to-Cathode Voltage^g	630	900	1100	V
DC values				

^a On plane perpendicular to the indicated direction of incident light and passing through the major axis of the tube.

^b Made by Corning Glass Works, Corning, New York.

^c Made by Amphenol Electronics Corporation, 1830 South 54th Avenue, Chicago 54, Illinois.

^d Made by James Millen Manufacturing Company, 150 Exchange Street, Malden 48, Massachusetts.

^e Averaged over any interval of 30 seconds maximum.

^f Under the following conditions: The light source is a tungsten-filament lamp having a lime-glass envelope. It is operated at a color temperature of 2870°K and a light input of 10 microlumens is used.

^g Under the following conditions: Light incident on the cathode is transmitted through a filter (Corning C.S. No.3-67, Glass Code No.3482—Manufactured by the Corning Glass Works, Corning, New York) from a tungsten-filament lamp operated at a color temperature of 2870° K. The value of light flux incident on the filter is 10 microlumens. Supply voltage (E) is adjusted to give an anode current of 50 microamperes.

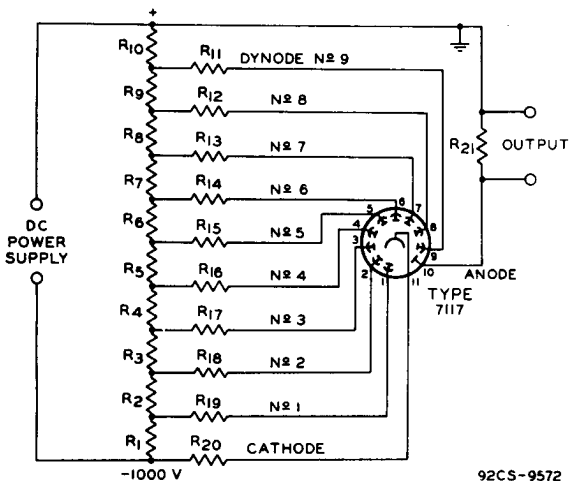
SPECTRAL-SENSITIVITY CHARACTERISTIC
of Phototube having S-4 Response
is shown at the front of this Section

DIMENSIONAL OUTLINE
and
AVERAGE-ANODE-CHARACTERISTICS and
VARIATION-IN-SENSITIVITY-OF-PHOTOCATHODE
Curves shown under Type 6328
also apply to the 7117

→ Indicates a change.



RECOMMENDED VOLTAGE-DIVIDER NETWORK FOR USE
WITH TYPE 7117 IN HEADLIGHT-CONTROL SERVICE



92CS-9572

- R1 R2 R3 R4 R5
 R6 R7 R8 R9 R10: 1 megohm, 1/2 watt
 R11: 2 megohms, 1/2 watt
 R12: 5.1 megohms, 1/2 watt
 R13 R14 R15 R16
 R17 R18 R19 R20: 8.2 megohms, 1/2 watt
 R21: 820,000 ohms, 1/2 watt

Information furnished by RCA is believed to be accurate and reliable. However, no responsibility is assumed by RCA for its use; nor for any infringements of patents or other rights of third parties which may result from its use. No license is granted by implication or otherwise under any patent or patent rights of RCA.



Sensitivity Characteristics

