

8168/4CX1000A

Beam Power Tube

FORCED-AIR COOLED

GENERAL DATA

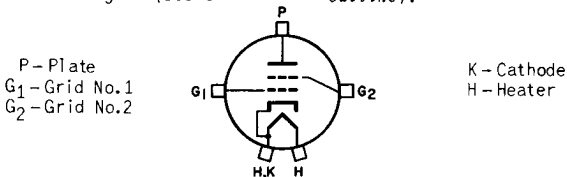
Electrical:

| | Min. | Av. | Max. | |
|--|------|--------|------|---------|
| Heater, for Unipotential | | | | |
| Cathode: | | | | |
| Voltage (AC or DC) | - | 6 ± 5% | - | volts |
| Current at 6 volts | 9.5 | - | 11.5 | amp |
| Heating Time | 3 | - | - | minutes |
| Transconductance | - | 37000 | - | μmhos |
| Direct Interelectrode | | | | |
| Capacitances (Approx.) ^a : | | | | |
| Grid No.1 to plate | - | - | 0.02 | pf |
| Grid No.1 to grid No.2, cathode, and heater | 77 | - | 90 | pf |
| Plate to grid No.2, cathode, and heater | 11 | - | 13 | pf |

Mechanical:

| | |
|----------------------------------|--------|
| Operating Position | Any |
| Maximum Overall Length | 4.8" |
| Maximum Diameter | 3.365" |
| Weight (Approx.) | 27 oz |

Terminal Diagram (See *Dimensional Outline*):



Thermal:

| | | |
|------------------------------------|----------|----------|
| Seal Temperatures | 200 max. | °C |
| Plate Core Temperature | 250 max. | °C |
| Incoming Air Temperature | 40 max. | °C |
| Air Flow | 28 min. | cfm |
| Static Pressure | 0.25 in. | of water |

Components:

Socket Eimac SK-800 Series, or equivalent



8168/4CX1000A

AF POWER AMPLIFIER & MODULATOR — Class AB₁^b and LINEAR RF POWER AMPLIFIER Single-Sideband Suppressed-Carrier Service

For frequencies up to 30 Mc

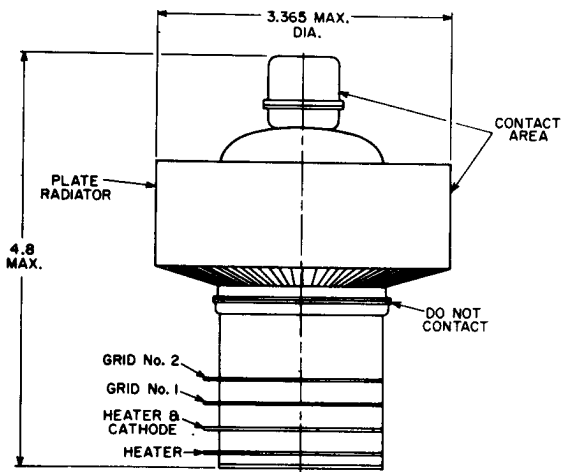
Maximum CCSC^c Ratings, Absolute-Maximum Values:

| | | |
|-------------------------------|-----------|-------|
| DC Plate Voltage. | 3000 max. | volts |
| DC Grid-No.2 Voltage. | 400 max. | volts |
| DC Plate Current. | 1 max. | amp |
| Grid-No.2 Input | 12 max. | watts |
| Grid-No.1 Input | 0 max. | watts |
| Plate Dissipation | 1000 max. | watts |

^a with external shield.

^b Subscript 1 indicates that grid-No.1 current does not flow during any part of the input cycle.

^c continuous Commercial Service.



92CS-12091

DIMENSIONS IN INCHES

