



925

925

HIGH-VACUUM PHOTOTUBE

SHORT TYPE

Cathode	Semi-cylindrical	
Photosurface		S1
Window Area		0.4 sq. in.
Direct Interelectrode Capacitance		1.0 μf
Maximum Overall Length		2-5/8"
Maximum Seated Height		2-1/16"
Maximum Diameter		1-5/16"
Bulb (lime glass)		T-9
Base		Intermed. Sh. Octal 5-Pin
Pin 1-No Connection		Pin 7-No Connection
Pin 2-No Connection		Pin 8-Cathode (-)
Pin 4-Anode (+)		
Mounting Position		Any

DIRECTION OF LIGHT



BOTTOM VIEW

Maximum Ratings Are Absolute Values

MAXIMUM RATINGS and CHARACTERISTICS

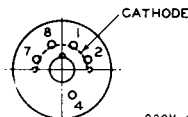
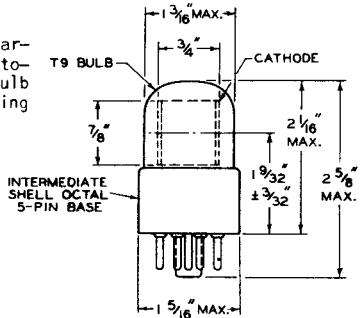
Anode-Supply Voltage (D.C. or Peak A.C.)	250 max.	volts
Anode Current*	20 max.	$\mu\text{amp.}$
Ambient Temperature	100 max.	$^{\circ}\text{C}$
Luminous Sensitivity*	15	$\mu\text{amp./lumen}$
Sensitivity at 7500 Angstroms	0.0020	$\mu\text{amp./}\mu\text{watt}$
D-C Resistance of Load:		

With anode-supply voltage of
250 volts

1 min. megohm

- * On the basis of the use of a sensitive cathode area 1/2" in diameter.
- * Subject to variations as explained on sheet PHOTOTUBE SENSITIVITY MEASUREMENTS in the front of this section.

Spectral Sensitivity Characteristic of S1 Photosurface in lime-glass bulb is shown at the beginning of this section.



BOTTOM VIEW

92CM-6054R1

← Indicates a change.

DEC. 1, 1943

RCA VICTOR DIVISION
RADIO CORPORATION OF AMERICA, HARRISON, NEW JERSEY

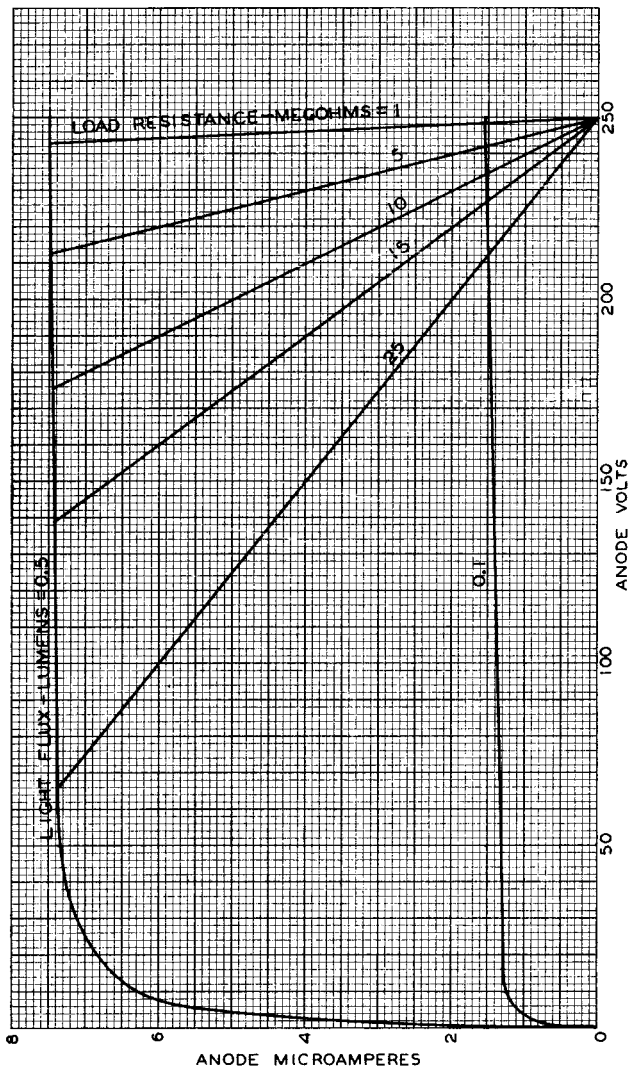
DATA

925



925

AVERAGE ANODE CHARACTERISTICS



DEC. 1, 1943

RCA VICTOR DIVISION
RADIO CORPORATION OF AMERICA, HARRISON, NEW JERSEY

92CM-6208

Vacuum Phototube

SIDE-ON TYPE HAVING S-I RESPONSE

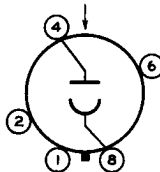
DATA

General:

Spectral Response	S-1
Wavelength of Maximum Response	8000 ± 1000 angstroms
Cathode:	
Shape	Semicylindrical
Minimum projected length ^a	13/16"
Minimum projected width ^a	5/8"
Direct Interelectrode Capacitance (Approx.)	1.6 μμf
Maximum Overall Length	2-5/8"
Maximum Seated Length	2-1/16"
Seated Length to Center of Cathode	1-13/32" ←
Maximum Diameter	1-9/32"
Operating Position	Any
Weight (Approx.)	0.8 oz ←
Bulb	T9
Socket	Cinch No.8JM-1, or equivalent ←
Base	Intermediate-Shell Octal 5-Pin, Arrangement 1 (JEDEC Group 1, No.85-10)
Basing Designation for BOTTOM VIEW 3J	

DIRECTION OF RADIATION

Pin 1 - No Internal Connection
Pin 2 - No Internal Connection



Pin 4 - Anode
Pin 6 - No Internal Connection
Pin 8 - Photocathode

Maximum Ratings, Absolute-Maximum Values:

ANODE-SUPPLY VOLTAGE (DC or Peak AC)	250 max.	volts
AVERAGE CATHODE-CURRENT DENSITY ^b	30 max.	μa/sq. in.
AVERAGE CATHODE CURRENT ^b	5 max.	μa
AMBIENT TEMPERATURE	100 max.	°C

Characteristics:

With an anode-supply voltage of 250 volts

Min. Median Max.

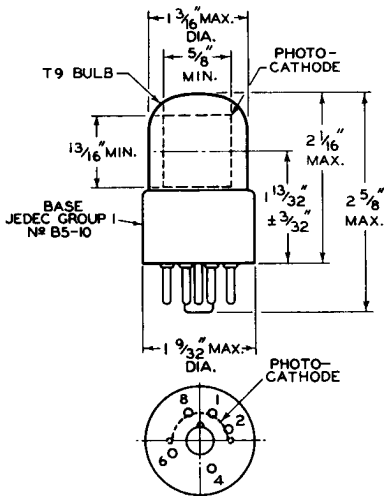
Sensitivity:			
Radiant, at 8000 angstroms	-	0.0019	- amp/watt
Luminous ^c	12	20	40 μa/lumen
Anode Dark Current at 25° C.	-	-	0.0125 μa

← Indicates a change.



- a On plane perpendicular to indicated direction of radiation.
- b Averaged over any interval of 30 seconds maximum.
- c For conditions where the light source is a tungsten-filament lamp operated at a color temperature of 2870° K. A 1-megohm load resistor and a light input of 0.1 lumen are used.

**SPECTRAL-SENSITIVITY CHARACTERISTIC
OF PHOTSENSITIVE DEVICE HAVING S-I RESPONSE
is shown at the front of this section**



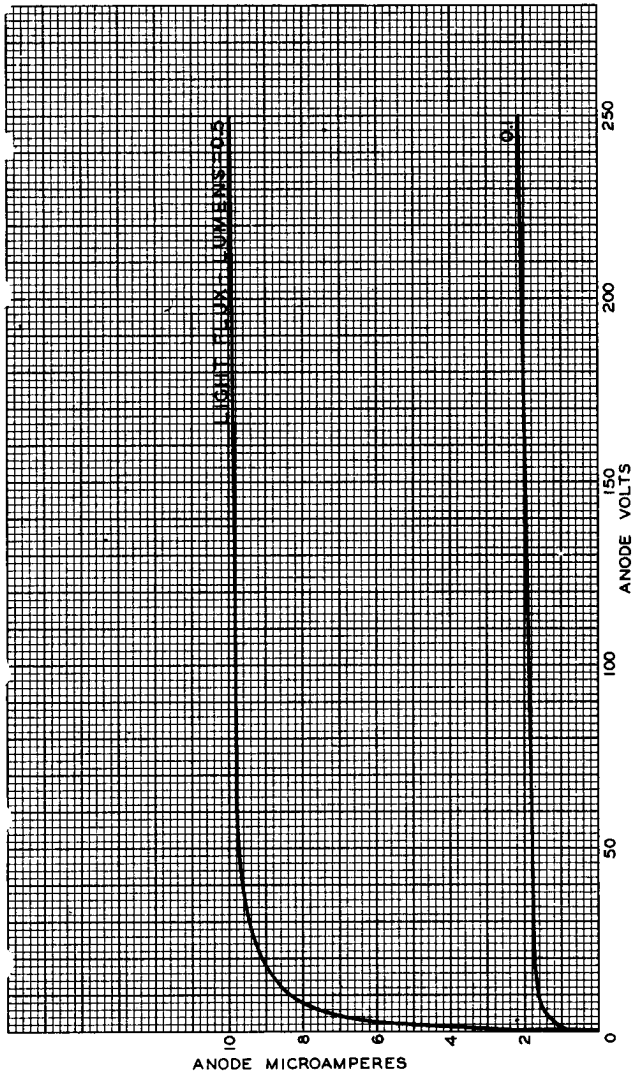
92CM-6054R3



925

925

AVERAGE ANODE CHARACTERISTICS



JULY 31, 1947

TUBE DEPARTMENT
RADIO CORPORATION OF AMERICA, HARRISON, NEW JERSEY

92CM-6208R1