



Half-Wave High-Vacuum Rectifier

Code: 705A (CV3587) ←

This rectifier is directly equivalent to the U.S.A. 705A type.

CATHODE

Thoriated tungsten filament with centre tap

Voltage (full filament)	5	V
Nominal current (per half filament)	5	A

MECHANICAL DATA

Maximum overall length	128.6	mm
Maximum diameter	65.1	mm
Top cap	Tungsten lead	
Base	B4A	
Socket	Special	
Net weight	90	g

MAXIMUM RATINGS

Maximum peak inverse voltage	30	kV
Maximum peak anode current at 30 kV P.I.V.	0.4	A
Maximum average anode current at 30 kV P.I.V.	0.1	A
Maximum peak anode current at 15 kV P.I.V.	0.6	A
Maximum average anode current at 15 kV P.I.V.	0.15	A
Maximum anode dissipation	60	W

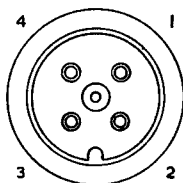
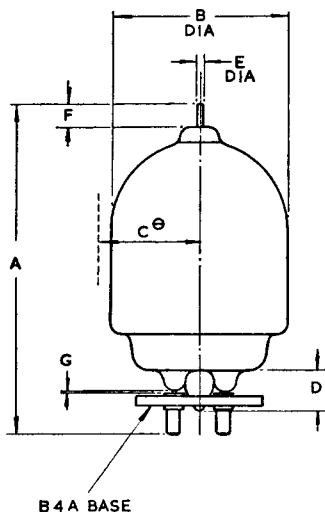
TYPICAL OPERATION (for ideal choke-input filter)

Circuit	No. of Valves	Maximum D.C. output voltage	Maximum D.C. output current
Bi-phase half wave	2	9 kV	0.2 A
Full wave	4	18 kV	0.2 A

Half-Wave High-Vacuum Rectifier



Code: 705A (CV3587) ←

**BASING**

1. FILAMENT
 2. FILAMENT C.T.
 3. FILAMENT
 4. NO CONNEXION
- T.L. ANODE

DIM	MILLIMETRES	INCHES	DIM	MILLIMETRES	INCHES
A	122.25 MIN 128.60 MAX	4.813 MIN 5.063 MAX	E	1.40 MIN 1.52 MAX	0.055 MIN 0.060 MAX
B	65.1 MAX	2 ⁹ / ₁₆ MAX	F	7.75 MIN 11.30 MAX	0.305 MIN 0.445 MAX
Θ C	35.71 MAX	1.406 MAX	G	0.38 MIN 2.39 MAX	0.015 MIN 0.094 MAX
D	12.7 MAX	1/2 MAX			

Θ DENOTES :- ECCENTRICITY WITH RESPECT TO ϕ OF BASE

NOTE:-BASIC DIMENSIONS ARE INCHES