

TUNG-SOL

PRODUCT BULLETIN

INDUSTRIAL ELECTRON TUBE TYPE 8149

FEBRUARY, 1963

BEAM POWER VHF PENTODE

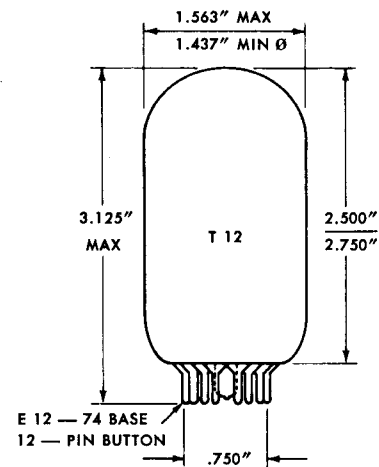
DESCRIPTION—The 8149 is a beam power amplifier pentode in the single-ended T-12 compactron design. It is intended for use as an RF power amplifier and oscillator at frequencies up to 175 megacycles, with a maximum plate dissipation rating of 35 watts under ICAS conditions. It features a center-tapped heater so it may be operated from either a 3-cell or a 6-cell storage battery system.

A similar tube in a double-ended design is registered as type 8150.



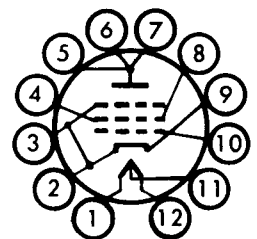
MECHANICAL DATA

Cathode	Coated Unipotential
Outline	JEDEC 12-57
Maximum Diameter	1.563 Inches
Maximum Seated Height	2.750 Inches
Maximum Overall Length	3.125 Inches
Bulb	T-12 Glass
Base — Button 12 Pin	JED E12-74
Pin Connections	Basing Diagram JEDEC 12DT
Pin 1 — Heater end B	Pin 8 — Grid 2
Pin 2 — Cathode, Grid 3, Internal Shield	Pin 9 — Cathode, Grid 3, Internal Shield
Pin 3 — Cathode, Grid 3, Internal Shield	Pin 10 — Grid 1
Pin 4 — Grid 2	Pin 11 — Heater Center Tap
Pin 5, 6, and 7 — Plate, Use All 3 Pins	Pin 12 — Heater End A
Mounting Position	Any



CIRCLE OF PIN CENTERS
 Ø MINIMUM DIAMETER DOES NOT APPLY IN THE AREA OF THE SEAL.

OUTLINE DRAWING



BASING DIAGRAM BOTTOM VIEW

TYPE 8149

ELECTRICAL DATA

Heater Characteristics and Ratings — Absolute Maximum System — See EIA Standard RS-239

	1 and 12	11 and 1 + 12	
Supply Connected to Pins			
Average Values — Voltage	13.0	6.5	Volts
Average Values — Current	0.60	1.20	Amps
Limits of Applied Heater Voltage	11.0-15.0	5.5-7.5	Volts
Maximum Heater-Cathode Voltage Either Polarity		135	Volts

Direct Interelectrode Capacitances — without external shield

Grid 1 to Plate: g1 to p	0.35	pf
Input: g1 to (h + k + g2 + g3 + i.s)	13.0	pf
Output: p to (h + k + g2 + g3 + i.s)	6.0	pf

Average Static Characteristics

Plate Voltage	200	Volts
Grid 2 Voltage	200	Volts
Plate Current	100	mA
Transconductance	7500	μ mhos
Amplification Factor, Triode Connected	4.5	

Maximum Ratings — Absolute Maximum System — See EIA Standard RS-239 ICAS — Intermittent Commercial and Amateur Service

RF Power Amplifier and Oscillator — Class C Telegraphy

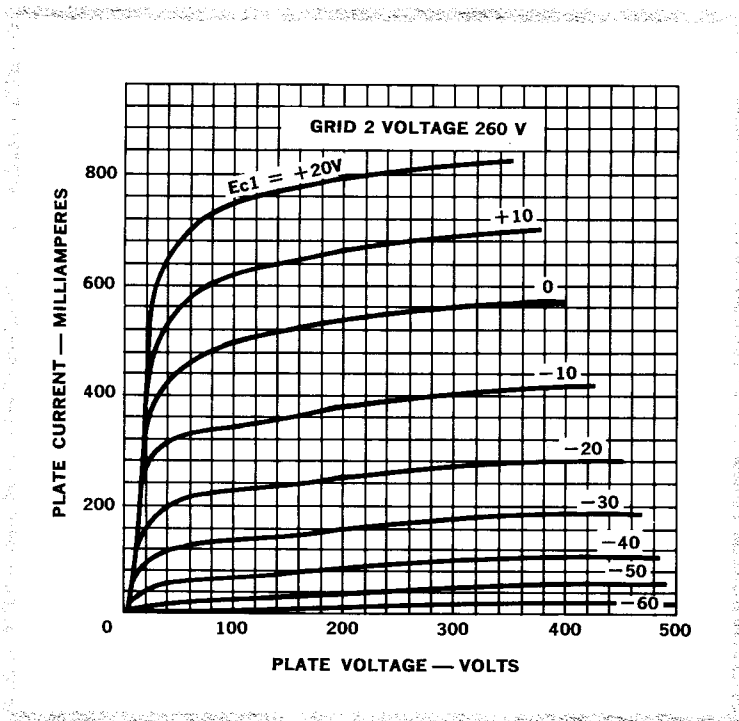
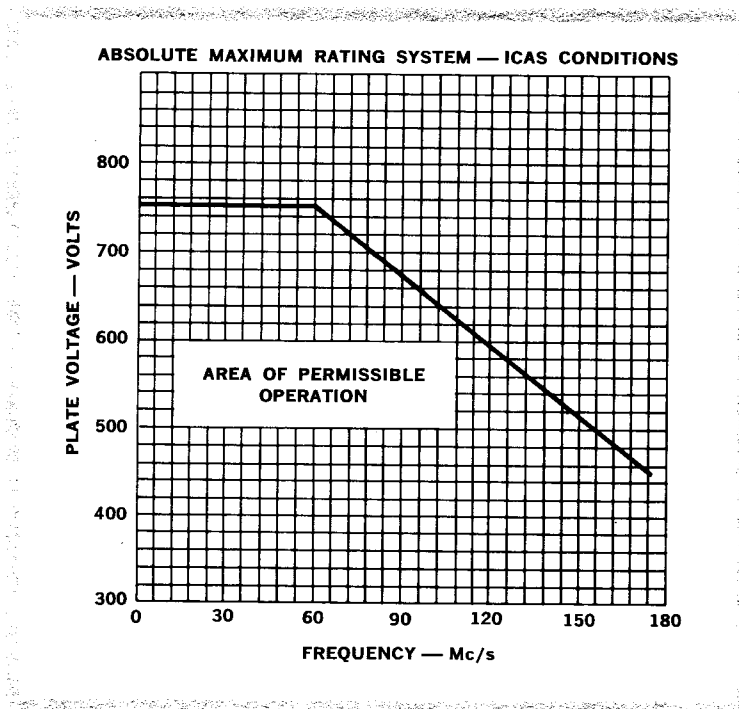
RF Power Amplifier — Class C FM Telephony

For Frequencies up to	60	175	Mc/s
Plate Voltage-DC	750	450	Volts
Grid 2 Voltage	250	250	Volts
Grid 1 Voltage-DC	-150	-150	Volts
Cathode Current-DC	220	220	mA
Plate Dissipation	35	35	Watts
Grid 2 Dissipation	3.3	3.3	Watts
Bulb Temperature	240	240	$^{\circ}$ C

For Voltage vs Frequency Rating Chart See Page 3.

Typical Operation — Class C Amplifier at 175 Mc/s

Plate Voltage	380	Volts
Grid 2 Supply Voltage	380	Volts
Grid 2 Dropping Resistor	10k	Ohms
Grid 1 Voltage	-78	Volts
from Grid 1 Resistor	27k	Ohms
Additional Fixed Bias	-24	Volts
Peak R.F. Grid 1 Voltage	120	Volts
Plate Current	180	mA
Grid 2 Current	12	mA
Grid 1 Current	2.0	mA
Driving Power — Approx.	2	Watts
Power Output	40	Watts



CHARACTERISTIC CURVES

