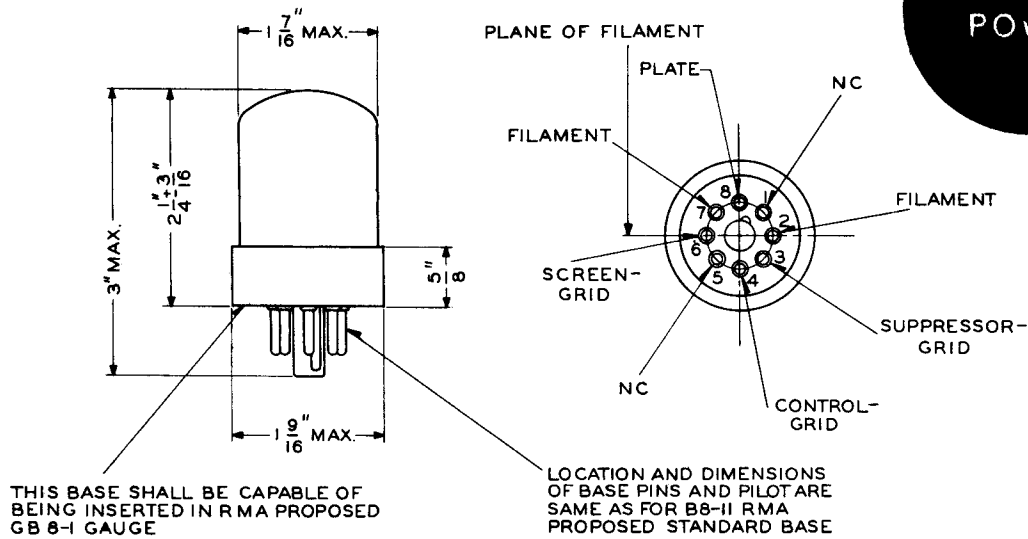


ADVANCE ELECTRON TUBE DATA SHEET  
 WESTERN ELECTRIC 5603\* ELECTRON TUBE

**5603**  
 POWER PENTODE  
 AMPLIFIER



CLASSIFICATION

Filamentary Power Pentode Amplifier

MOUNTING

The tube should be mounted preferably in a vertical position. If mounted in a horizontal position, the plane through contact pins 2 and 6 must be vertical.

MAXIMUM RATINGS (DESIGN-CENTER VALUES)

Plate Voltage	150 volts
Plate Dissipation	8.0 watts
Screen Voltage	150 volts
Screen Dissipation	2.5 watts
Cathode Current	75 milliamperes

OPERATING CONDITIONS AND CHARACTERISTICS

Filament Voltage	6.3 volts
Filament Current	0.5 amp.
Plate Voltage	135 volts
Plate Current	50 milliamperes
Screen Voltage	135 volts
Screen Current	4 milliamperes
Suppressor-Grid Voltage	0 volts
Cathode Bias Resistor	230 ohms
Amplification Factor	92
Plate Resistance	17000 ohms
Transconductance	5400 micromhos
Signal Grid Voltage	8.5 volts a-c
Load Resistance	2500 ohms
Power Output	2.2 watts

INTERELECTRODE CAPACITANCES (NO SHIELD)

Control-grid to filament, screen-grid and suppressor-grid	9.5 $\mu$ f
Plate to control-grid	0.3 $\mu$ f
Plate to filament, screen-grid and suppressor-grid	7.5 $\mu$ f

