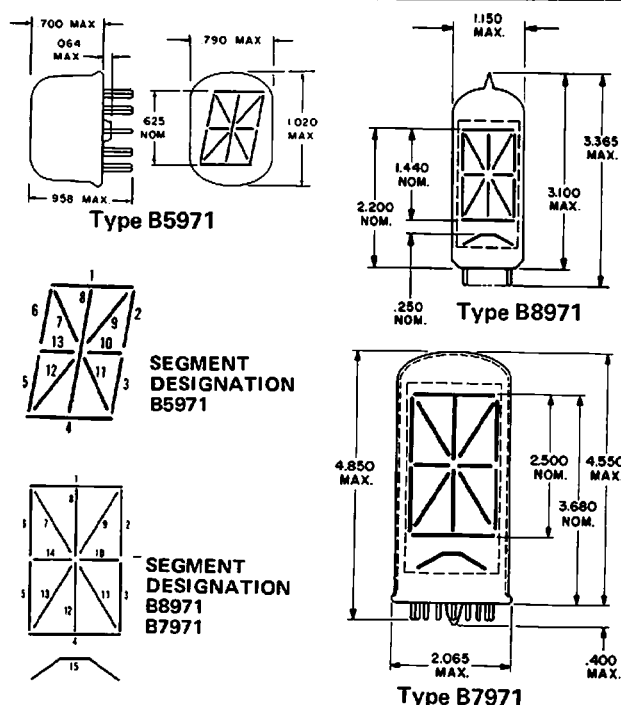
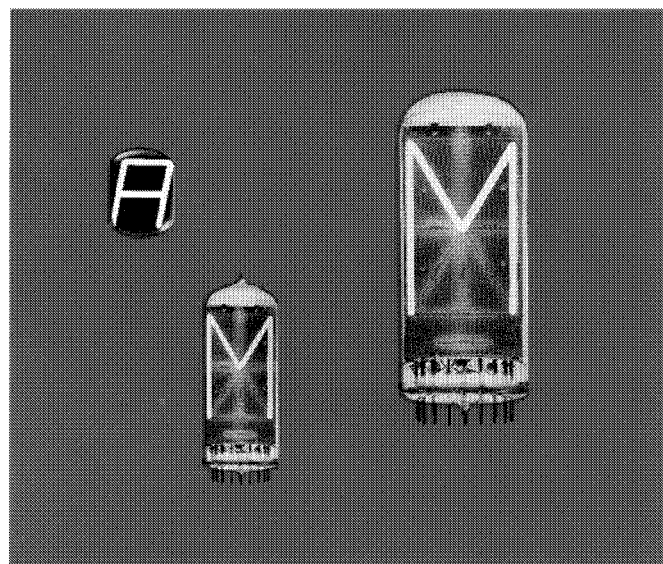


ALPHANUMERIC NIXIE INDICATOR TUBES

Available in three sizes, standard, medium and large, alphanumeric NIXIE tubes have the capability to display all letters of the alphabet, numerals 0-9 and special characters in a single tube.

	Standard	Medium	Large
Character Size	0.6"	1.4"	2.5"
Viewing Distance	30.0'	65.0'	100.0'



ELECTRICAL CHARACTERISTICS

	B5971	
Absolute Ratings		
Supply Voltage (Ebb)	170 Vdc Min.	
Cathode Current		
Ik (Total all cathodes)	12 ma max.	
Ik (Individual cathodes, K1 through K12 - except K8, K10)	1.7 ma max.	
Ik (Individual cathodes, K10, K13)	1.5 ma max.	
Ik (Individual cathode, K8)	3.0 ma max.	
Test Conditions		
Supply Voltage (Ebb)	170 Vdc	
Series Anode Resistor (R _D)	6.8 K ±1%	
Absolute Ratings		
	B8971	B7971
Supply Voltage (Ebb, Vdc min)	170	170
Individual Cathode Current (Ik, ma max)		
K1, K4, K15	6.0	6.0
K7, K9, K11, K13	5.0	5.5
K10, K14	3.5	4.0
K2, K3, K5, K6, K8, K12	4.5	5.0
Total All Cathodes	14.0	21.0
Test Conditions		
Supply Voltage, Ebb (Vdc)	170	170
Series Anode Resistor, R _D (Ohms)	4.3 K ±1%	1.8 K ±1%