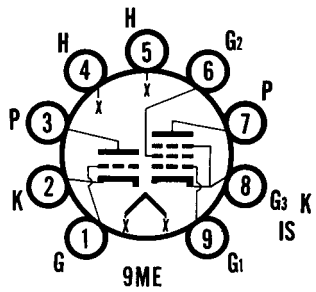


SYLVANIA TYPES 18HB8 35HB8



TRIODE-BEAM POWER AMPLIFIER

MECHANICAL DATA

| | |
|------------------------|------------------------------|
| Bulb..... | T-6 1/2 |
| Base..... | E9-1, Miniature Button 9-Pin |
| Outline..... | JEDEC 6-3 |
| Basing..... | 9ME |
| Cathodes..... | Coated Unipotential |
| Mounting Position..... | Any |

ELECTRICAL DATA

HEATER CHARACTERISTICS

| | 18HB8 | 35HB8 |
|---|-------|----------------|
| Heater Voltage ¹ | 18.0 | 35.0 Volts |
| Heater Current..... | 300 | 150 Ma |
| Heater-Cathode Voltage (Design Max. Values) | | |
| Heater Negative with Respect to Cathode | | |
| Total D C and Peak..... | 200 | 200 Volts Max. |
| Heater Positive with Respect to Cathode | | |
| D C..... | 100 | 100 Volts Max. |
| Total D C and Peak..... | 200 | 200 Volts Max. |

RATINGS (Design Maximum Values)

| | Triode Section | Pentode Section |
|-----------------------------|----------------|------------------|
| Plate Voltage..... | 150 | 150 Volts Max. |
| Grid No. 2 Voltage..... | ... | 135 Volts Max. |
| Cathode Current..... | 5 | 50 Ma Max. |
| Plate Dissipation..... | 0.75 | 6.5 Watts Max. |
| Grid No. 2 Dissipation..... | ... | 1.5 Watts Max. |
| Grid Circuit Resistance | | |
| Fixed Bias..... | ... | 0.1 Megohm Max. |
| Cathode Bias..... | ... | 0.47 Megohm Max. |

CHARACTERISTICS AND TYPICAL OPERATION

| | Triode Section | Pentode Section |
|--|----------------|-----------------|
| Plate Voltage..... | 115 | 115 Volts |
| Grid No. 2 Voltage..... | ... | 115 Volts |
| Peak AF Grid No. 1 Voltage..... | ... | 6.0 Volts |
| Cathode Resistor..... | 410 | 150 Ohms |
| Zero-Signal Plate Current..... | 2.5 | 33 Ma |
| Maximum-Signal Plate Current..... | ... | 32 Ma |
| Zero-Signal Grid No. 2 Current..... | ... | 7.5 Ma |
| Maximum-Signal Grid No. 2 Current..... | ... | 10 Ma |
| Transconductance..... | 3900 | 6250 μ mhos |
| Amplification Factor..... | 74 | ... |
| Load Resistance..... | ... | 3500 Ohms |
| Maximum-Signal Power Output..... | ... | 1.0 Watt |
| Total Harmonic Distortion (approx.)..... | ... | 8 Percent |

NOTE:

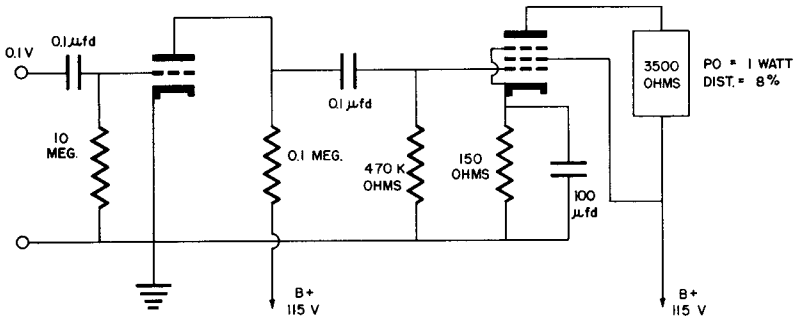
1. The heater should be connected with Pin No. 4 closest to the ground end of the heater string.

APPLICATION

The Sylvania Types 18HB8 and 35HB8 are miniature triode-pentodes designed for audio applications in stereo and monaural sound equipment.

SYLVANIA TYPES 18HB8 (Cont'd) 35HB8

FIGURE 1



D59014