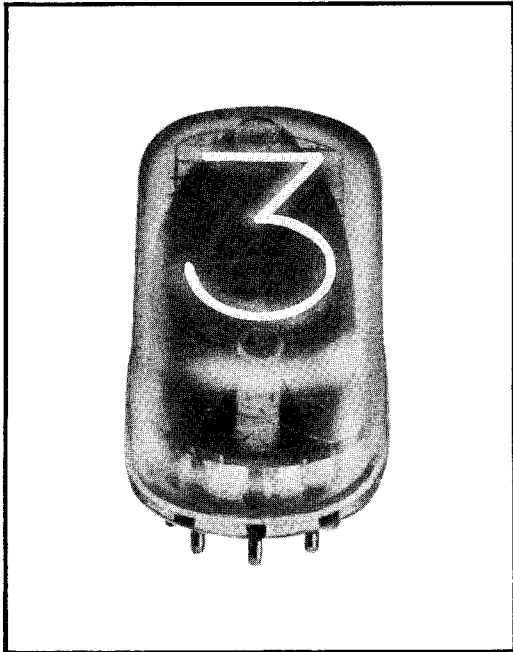




READOUT DEVICES



NUMERICAL INDICATOR

Type B-5991

Ultra Long Life Rectangular NIXIE® Tube

The B-5991 NIXIE Indicator Tube is a gas-filled, cold cathode, 10 digit ("0" through "9") rectangular tube, having a common anode. It is the first in a series of rectangular tubes which permit the miniaturization of digital equipment using in-line readout. Both the width and depth of this new tube have been reduced to approximately 75% of standard size cylindrical types while retaining numeral size. Individual tubes can now be stacked side by side using minimum panel space with no sacrifice in readability. In addition, the smaller width and depth of the rectangular tubes permit much greater design flexibility including the use of smaller drive circuits.

The rectangular tube retains all the characteristics which have made NIXIE Indicator Tubes the most widely accepted readout device in the electronics industry.

MECHANICAL DATA

Overall Length	1.120 Max.
Seated Height862 Max.
Bulb Width790 Max.
Bulb Length	1.020 Max.
Numeral Height603 Nominal
Pin Connection	See Figure 3
Mounting Position	See Note 2

ELECTRICAL DATA

ABSOLUTE RATINGS

Ionization Voltage	170 Vdc Max.
Supply Voltage	170 Vdc Min.
	(Note 1)
Cathode Current	3.0 ma Max.

TEST CONDITIONS (See Basic Circuit)

Supply Voltage (Ebb)	170 Vdc
Series Resistor (R)	8.2 K
Cathode Current (I _k)	
(Minimum)	1.5 ma
(Maximum)	3.0 ma

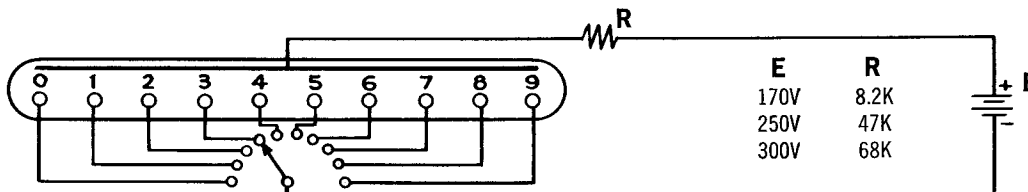


Figure 1.

NOTES

1. The minimum supply voltage should be 170 volts. However, the use of the highest available voltage with the appropriate series resistor is recommended to maintain cathode current within the specified limits.
2. The center line of the numbers to be displayed passes through pins 6 and 12 of the tube. The tube socket should be oriented so that pins 6 and 12 are in a vertical line with pin 12 at the top.

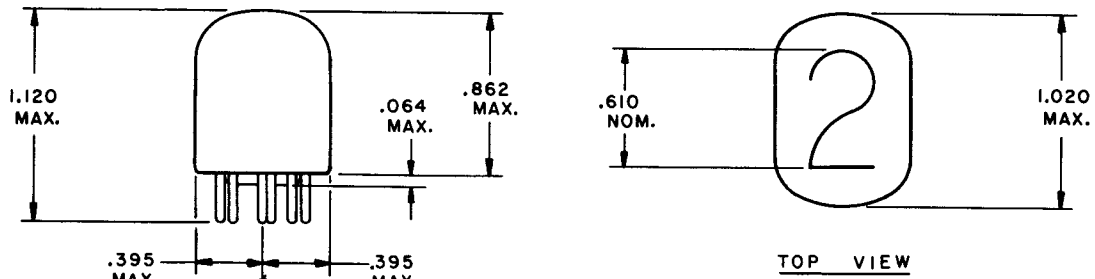


Figure 2.

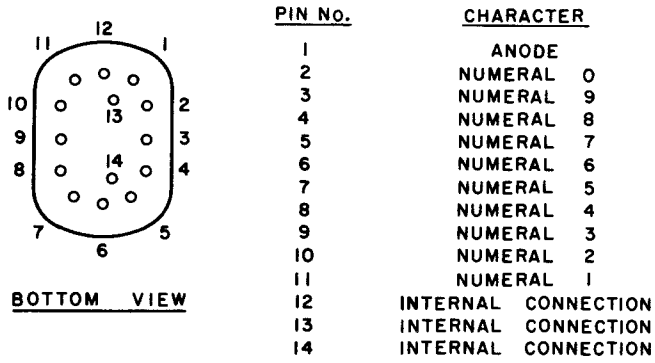
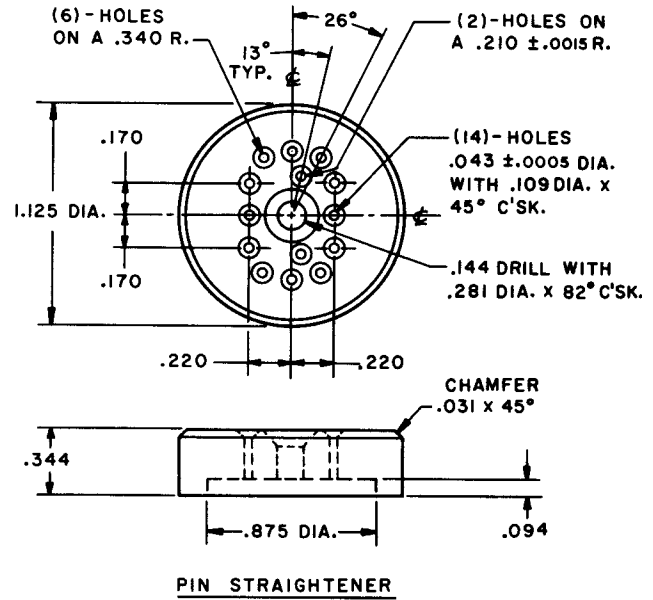


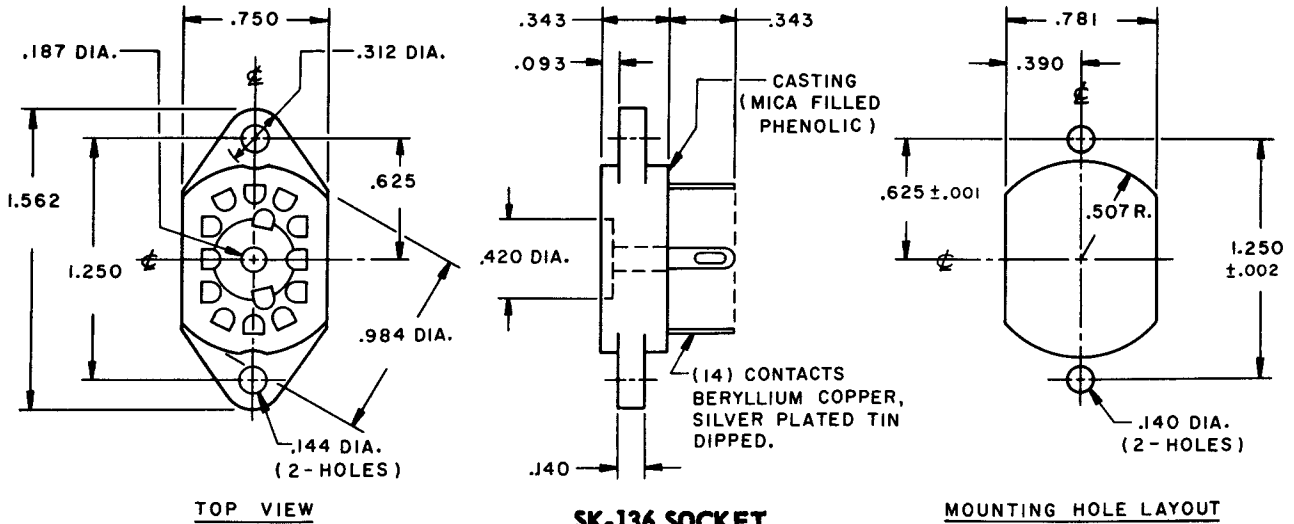
Figure 3.



PIN STRAIGHTENER

LS-210

Figure 4.



SK-136 SOCKET

Figure 5.

ANOTHER ELECTRONIC CONTRIBUTION BY
Burroughs Corporation
 ELECTRONIC COMPONENTS DIVISION
 PLAINFIELD, NEW JERSEY

The information contained in this brochure does not necessarily imply a license under patents or pending applications of Burroughs Corp. or assure a freedom from patent rights of others. No warranties of any kind are either expressed or implied by reason of this publication.