

RECTIFIER TUBE

NL-604

FULL-WAVE RECTIFIER TUBE

2.5 Amperes dc



NATIONAL POWER TUBE NL-604 is a sturdy full-wave rectifier tube designed especially for industrial power rectifier application up to 250 volts dc. It is gas and mercury filled for quick starting, long life, and constancy of characteristics within wide temperature limits. It is available with a lug base under the type number NL-604L.

NATIONAL ELECTRONICS, INC.

GENEVA, ILLINOIS, U. S. A.

NL-604 RECTIFIER TUBE TECHNICAL INFORMATION

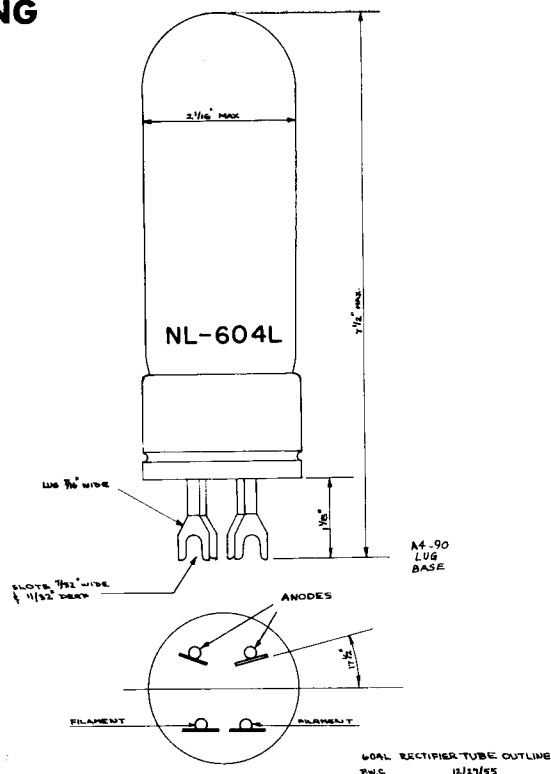
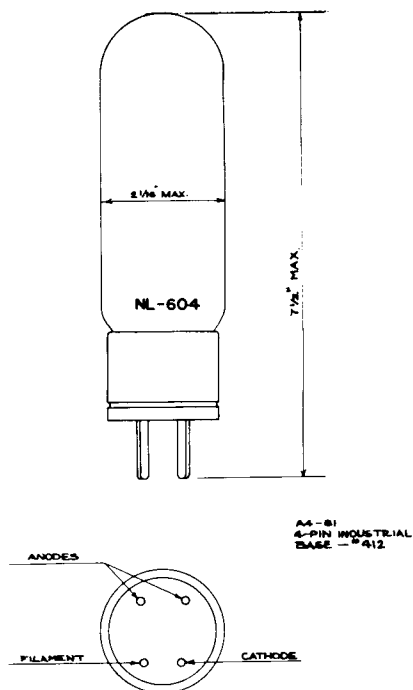
dc Amperes output (maximum)	2.5
Instantaneous Amperes output (maximum)	10
Maximum time of averaging anode current (seconds)	5
Maximum peak inverse volts	900
Filament volts	2.5
Filament amperes	11.5 ± 1
Filament heating time (seconds)	15
Typical arc drop at 5 amperes peak (volts)	10
Typical Anode starting voltage (volts)	10
Maximum ac short circuit current (amperes)	150
Condensed mercury temperature limits (°C) *	0 to + 90
Approx. temp. rise, cond. merc. above ambient, no load (°C)	18
Approx. temp. rise, cond. merc. above ambient, full load (°C)	28
Mounting position	vertical, base down
Net weight (ounces)	5
Approx. shipping weight (lbs.)	3

*The tube may be started and satisfactory operation will result between 0 and 90°C. For maximum life the condensed mercury temperatures after warm-up should run between +40 and +90°C which corresponds to approximately +15 to +65°C ambient.

ALL DATA ARE BASED ON RETURNS TO FILAMENT TRANSFORMER CENTER TAP

LIGHT FILAMENT BEFORE APPLYING LOAD

OUTLINE DRAWING



Printed in USA 10/57