

—Standard Valves—

4017-B
Valve

4017-B VALVE

HALF WAVE, HOT CATHODE MERCURY VAPOUR
RECTIFIER.

SPECIFICATION.

Cathode.

Oxide coated filament (shielded).
Constant current type.

Base.

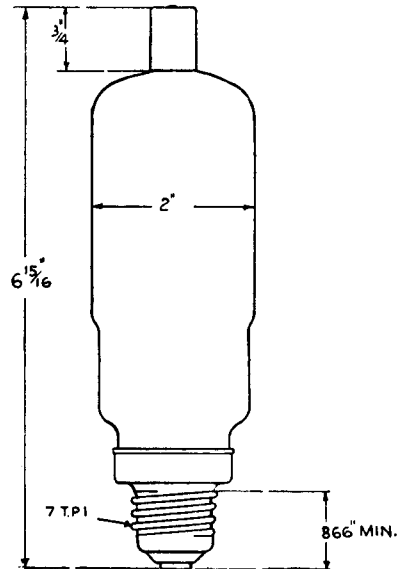
Edison medium screw.
Anode connected to top cap type A.

Dimensions.

Overall length $6\frac{15}{16}$ " (17.5 cms.)
Overall diameter 2" (5.1 cms.)
Net weight 0.22 lbs. (100 gms.).

Constants.

Filament current 8.25 amps.
Nominal filament voltage 2.7 volts
Maximum peak inverse voltage 7,000 volts
Maximum peak anode current 1.5 amps.
Time delay 30 seconds
Heating period after transport 15 mins.
Recommended ambient temperature range 10°C.—50°C.



Heating Time.

For ambient temperature 15°C and above. 30 seconds.
10°C.—15°C. 5 minutes.

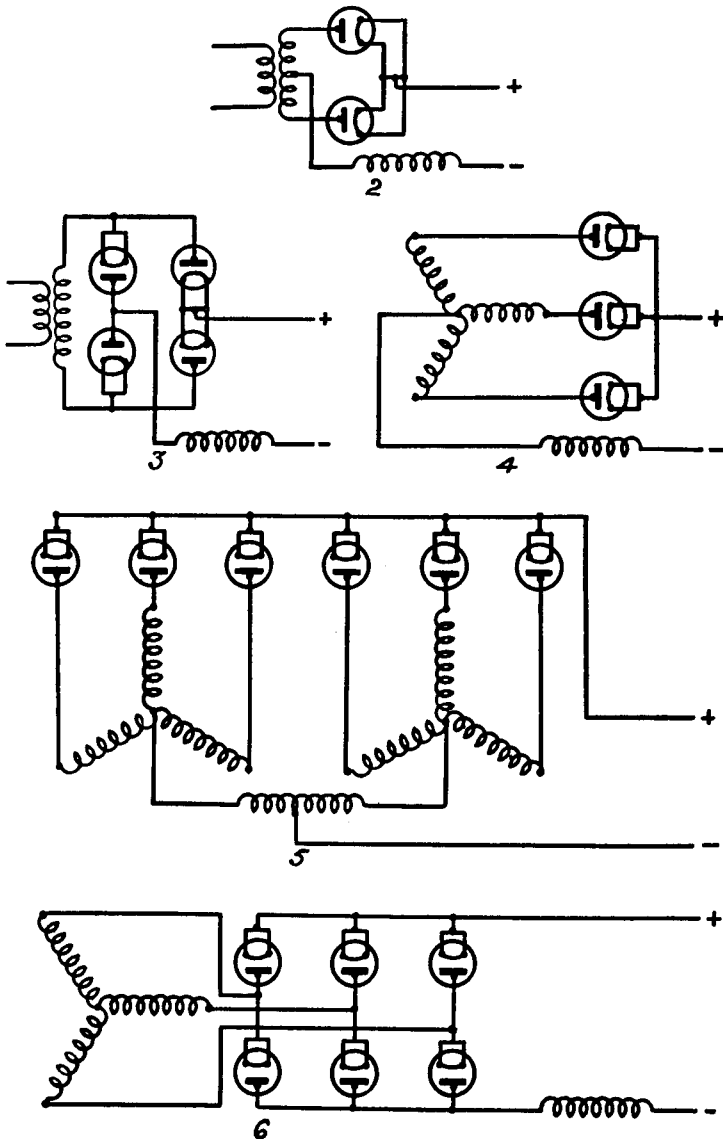
Note :—For further information on H.C.M.V. rectifiers, see sheet G.I.

—Standard Valves—

TYPICAL OPERATING CONDITIONS.

Circuit	Number of valves	Load potential in volts	Load current in amps.
2	2	2,500	0.9
3	4	5,000	0.9
4	3	3,000	1.2
5	6	3,000	2.4
6	6	6,000	1.5

Important.—This rectifier being directly heated, the output circuit must be connected to the mid-point of the filament transformer.



PRINTED IN ENGLAND