

# —Standard Valves—

4065-A  
Valve

## 4065-A VALVE

DIODE.

### SPECIFICATION.

#### Cathode.

Pure tungsten filament.  
Constant voltage type.

#### Base.

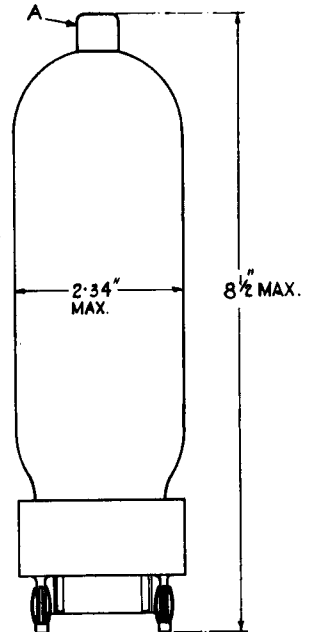
Special 4-pin low loss.  
Anode connected to top cap type C.

#### Dimensions.

Max. overall length	8½" (21.6 cms.)
Max. bulb diameter	2.34" (6.0 cms.)
Net weight	0.5 lbs. (225 gms.)

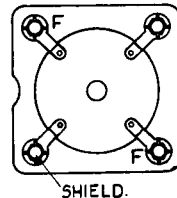
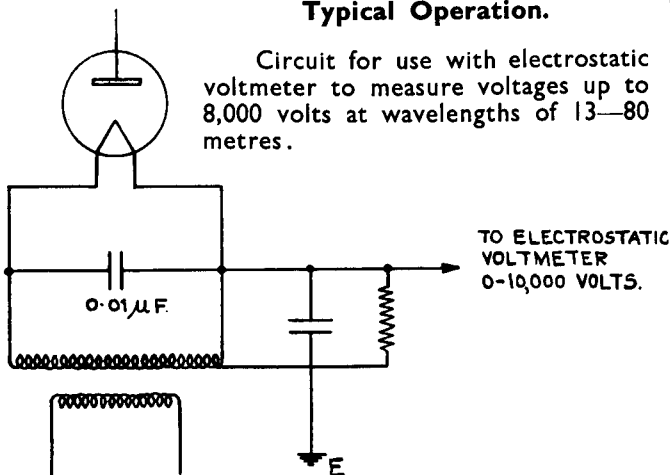
#### Constants.

Filament voltage	2.5 volts
Nominal filament current	8 amps.
Maximum direct current	1 mA.
Maximum inverse peak voltage	20,000 volts



### Typical Operation.

Circuit for use with electrostatic voltmeter to measure voltages up to 8,000 volts at wavelengths of 13—80 metres.



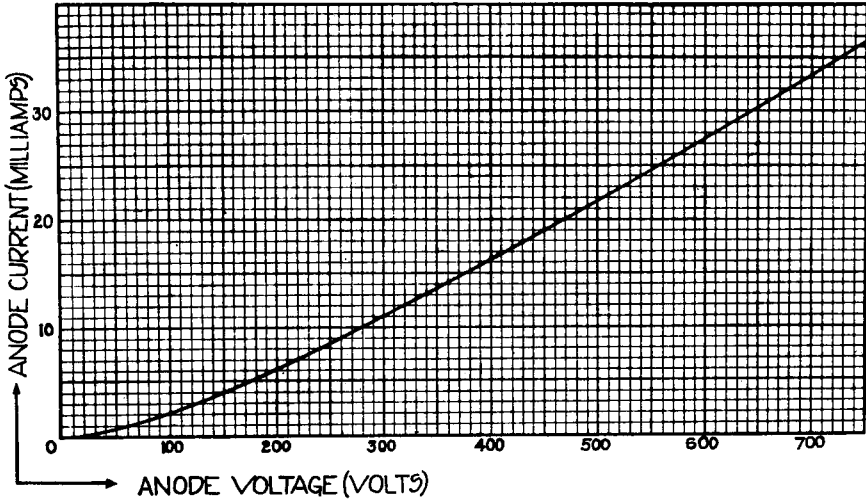
Transformer insulation resistance to earth to be at least 20,000 megohms. Suitable transformer for operation from 240 volt mains is the 4600-12 transformer.

Tentative data

V.4065-A.1  
March, 1939

4065-A  
Valve

# —Standard Valves—



PRINTED IN  
ENGLAND