

TUNG-SOL

CATHODE RAY

THE 21ZP4, 21ZP4A AND 21ZP4B ARE DIRECT-VIEW PICTURE TUBES DESIGNED FOR USE IN TELEVISION APPLICATIONS. THEY ARE IDENTICAL *EXCEPT* THAT THE 21ZP4A AND 21ZP4B HAVE EXTERNAL CONDUCTIVE COATINGS AND THE 21ZP4B ALSO HAS AN ALUMINIZED SCREEN. THEIR COMMON FEATURES INCLUDE:

SPHERICAL FACEPLATE	UNIPOTENTIAL CATHODE
GREY FILTER FACEPLATE	MAGNETIC FOCUS & DEFLECTION
RECTANGULAR GLASS CONSTRUCTION	EXTERNAL SINGLE FIELD ION TRAP
19 1/8" X 14 3/16" RASTER SIZE	

ELECTRICAL DATA

FOCUSING METHOD		MAGNETIC
DEFLECTING METHOD		MAGNETIC
DEFLECTION ANGLE (APPROX.):		
HORIZONTAL	65	DEGREES
VERTICAL	50	DEGREES
DIAGONAL	70	DEGREES
DIRECT INTERELECTRODE CAPACITANCES (APPROX.):		
CATHODE TO ALL OTHER ELECTRODES	5	$\mu\mu\text{f}$
GRID #1 TO ALL OTHER ELECTRODES	6	$\mu\mu\text{f}$
21ZP4A AND 21ZP4B ONLY		
MAXIMUM EXTERNAL CONDUCTIVE COATING TO ANODE	750	$\mu\mu\text{f}$
MINIMUM EXTERNAL CONDUCTIVE COATING TO ANODE	500	$\mu\mu\text{f}$

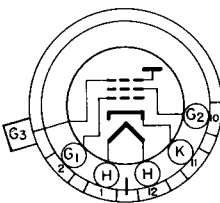
OPTICAL DATA

PHOSPHOR NUMBER	SULFIDE TYPE	NO. 4
FLUORESCENT COLOR		WHITE
PHOSPHORESCENT COLOR		WHITE
PERSISTENCE	21ZP4B - SHORT 21ZP4 & 21ZP4A	MEDIUM
FACEPLATE LIGHT TRANSMISSION AT CENTER (APPROX.)	75	PERCENT

MECHANICAL DATA

OVERALL LENGTH	23 1/32 \pm 3/8	INCHES
GREATEST DIMENSIONS OF BULB:		
DIAGONAL	21 7/32 \pm 1/8	INCHES
WIDTH	20 1/4 \pm 3/16	INCHES
HEIGHT	15 9/16 \pm 1/8	INCHES
MINIMUM USEFUL SCREEN DIMENSIONS:		
DIAGONAL	20 1/8	INCHES
WIDTH	19 1/8	INCHES
HEIGHT	14 3/16	INCHES
BULB CONTACT	RECESSED SMALL CAVITY CAP	J1-21
BASE	SMALL SHELL DUODECAL 5 PIN	B5-57
BASING	21ZP4 - 120 21ZP4A & 21ZP4B	12N
BULB CONTACT ALIGNMENT		
	J1-21 CONTACT ALIGNS WITH PIN POSITION #6 \pm 30 DEGREES	

21ZP4

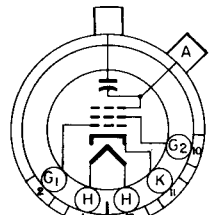


BOTTOM VIEW

PIN CONNECTIONS

PIN 1 - HEATER
 PIN 2 - GRID NO. 1
 PIN 10 - GRID NO. 2
 PIN 11 - CATHODE
 PIN 12 - HEATER
 ANODE CAP:
 GRID NO. 3

21ZP4A & 21ZP4B



BOTTOM VIEW

CONTINUED ON FOLLOWING PAGE

TUNG-SOL

CONTINUED FROM PRECEDING PAGE

RATINGS

DESIGN CENTER VALUES

HEATER VOLTAGE	6.3	VOLTS
HEATER CURRENT	0.6	AMP.
MAXIMUM DC ANODE, GRID #3 VOLTAGE	18 000	VOLTS
MAXIMUM DC GRID #2 VOLTAGE	500	VOLTS
MAXIMUM GRID #1 VOLTAGE:		
DC NEGATIVE-BIAS VALUE	125	VOLTS
DC POSITIVE-BIAS VALUE	0	VOLTS
POSITIVE-PEAK VALUE	2	VOLTS
MAXIMUM DC PEAK HEATER-CATHODE VOLTAGE ^A :		
HEATER NEGATIVE WITH RESPECT TO CATHODE		
DURING WARM-UP PERIOD NOT TO EXCEED 15 SECONDS	410	VOLTS
AFTER EQUIPMENT WARM-UP PERIOD	180	VOLTS
HEATER POSITIVE WITH RESPECT TO CATHODE	180	VOLTS

^A CATHODE SHOULD BE RETURNED TO ONE SIDE OR TO THE MID-TAP OF THE HEATER TRANSFORMER WINDING.

TYPICAL OPERATING CONDITIONS AND CHARACTERISTICS

DC ANODE, GRID #3 VOLTAGE ^{BC}	16 000	VOLTS
DC GRID #2 VOLTAGE	300	VOLTS
DC GRID #1 VOLTAGE ^E	-33 TO -77	VOLTS
DC FOCUSING COIL CURRENT ^D (APPROX.)	100 ± 20%	MA.
DC ION TRAP CURRENT STANDARD COIL #111 (APPROX.)	95 ± 50%	MA.
ION TRAP MAGNET (RATED STRENGTH) APPROX.	45	GAUSSSES

^B BRIGHTNESS AND FOCUS QUALITY DECREASE WITH DECREASING ANODE VOLTAGE. IN GENERAL, THE ANODE VOLTAGE SHOULD NOT BE LESS THAN 14,000 VOLTS.

^C IF THIS TUBE IS OPERATED AT VOLTAGES IN EXCESS OF 16,000 VOLTS, X-RAY RADIATION SHIELDING MAY BE NECESSARY TO AVERT POSSIBLE DANGER FROM PROLONGED EXPOSURE AT CLOSE RANGE.

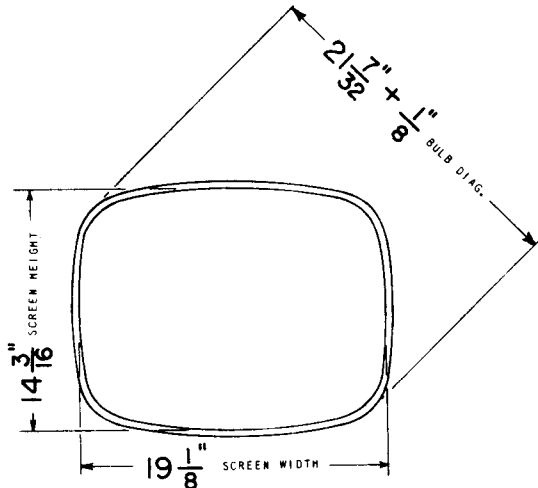
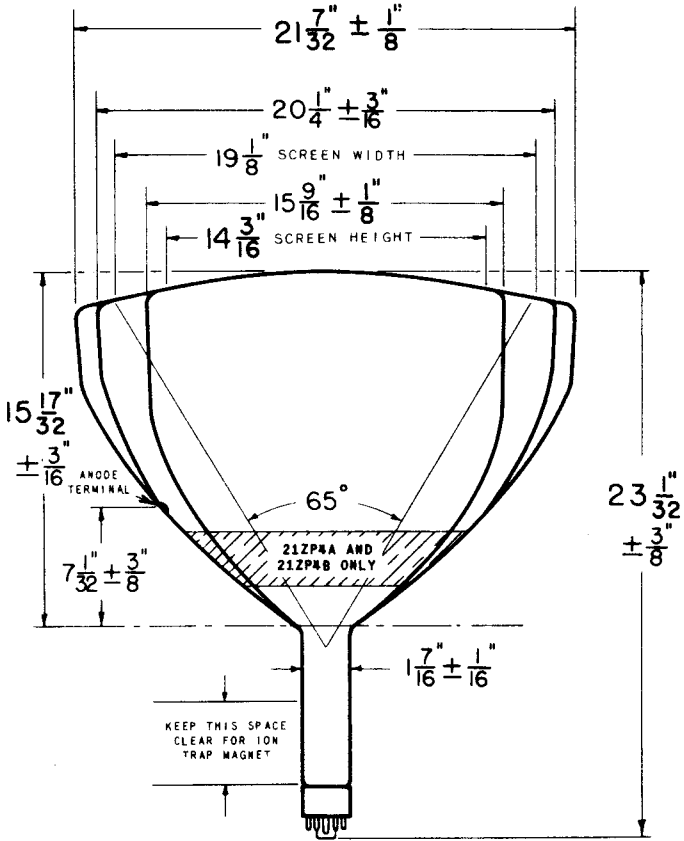
^D FOR STANDARD FOCUS COIL #109, OR EQUIVALENT, WITH THE COMBINED GRID #1 BIAS VOLTAGE AND VIDEO-SIGNAL VOLTAGE ADJUSTED TO PRODUCE A HIGHLIGHT BRIGHTNESS OF 20 FOOT LAMBERTS ON A 19 3/16" BY 14 5/16" PICTURE SIZE. DISTANCE FROM REFERENCE LINE TO CENTER OF AIR GAP ON FOCUS COIL SHALL BE 3.0 INCHES.

^E VISUAL EXTINCTION OF UNDEFLECTED FOCUSED SPOT.

CIRCUIT VALUES

MAXIMUM GRID #1 CIRCUIT RESISTANCE	1.5	MEG OHMS
------------------------------------	-----	----------

TUNG-SOL



PRINTED IN U. S. A.