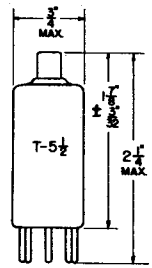


TUNG-SOL

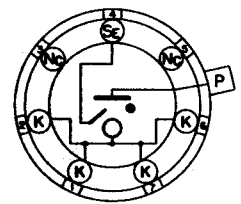
HALF WAVE RECTIFIER
MINIATURE TYPE

COLD CATHODE

ANY MOUNTING POSITION



GLASS BULB
SKIRTED MINIATURE
C1-3



BOTTOM VIEW
MINIATURE BUTTON
7 PIN BASE

THE 5517 IS A GAS FILLED, COLD CATHODE, HALF WAVE RECTIFIER. THIS TUBE FEATURES SMALL SIZE, LIGHT WEIGHT AND INSTANT OPERATION. A STARTING ELECTRODE IS USED TO IGNITE THE TUBE AT RELATIVELY LOW VOLTAGE, PERMITTING IT TO OPERATE OVER A LARGE PORTION OF THE AC CYCLE. ONE TUBE IN A HALF WAVE CIRCUIT WILL SUPPLY 10 MADC AT MORE THAN 1,000 VDC. THIS TUBE IS USED EXTENSIVELY FOR PHOTOFLASH WORK AND FOR OTHER APPLICATIONS WHERE THE NECESSITY OF FILAMENT POWER DURING STANDBY WOULD BE A DISADVANTAGE.

MAXIMUM RATINGS

MAXIMUM PEAK INVERSE ANODE VOLTAGE	2800	VOLTS
MAXIMUM STARTING VOLTAGE (WITH STARTER ELECTRODE CONNECTED TO ANODE THROUGH 10 MEG.OHMS)RMS	400	VOLTS
MAXIMUM AVERAGE ANODE CURRENT	12	MA.
MAXIMUM PEAK ANODE CURRENT	100	MA.
MAXIMUM TUBE DROP (AT I _b = 100 MA.)	125	VOLTS
MAXIMUM SURGE ANODE CURRENT	300	MA.
MINIMUM SOURCE IMPEDANCE ^A	5000	OHMS

^A SOURCE IMPEDANCE MAY BE LESS THAN THAT SPECIFIED IF CIRCUIT CONSTANTS ARE SUCH THAT MAXIMUM PEAK ANODE CURRENT DOES NOT EXCEED 100MA AND THAT A SHORT CIRCUIT CURRENT IS LIMITED TO 300 MA.

ELECTRICAL DATA

AVERAGE TUBE DROP	100	VOLTS
-------------------	-----	-------

MECHANICAL DATA

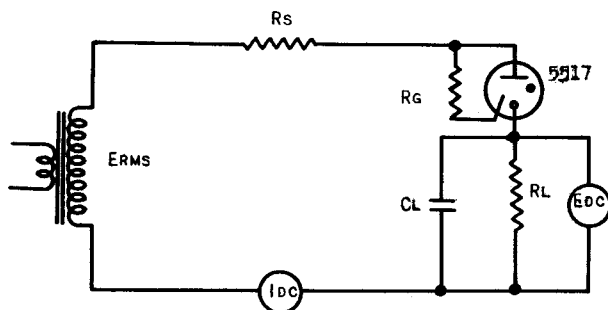
MOUNTING POSITION	ANY	
MAXIMUM OVERALL LENGTH	2 1/4	INCHES
SEATED LENGTH	1 7/8 ± 3/32	INCHES
MAXIMUM DIAMETER	0.75	INCHES
BULB	T-5 1/2	
CAP	SKIRTED MINIATURE, C1-3	
BASE	MINIATURE BUTTON 7 PIN	
AVERAGE WEIGHT	0.32	OUNCES

CONTINUED ON FOLLOWING PAGE

PRINTED IN U. S. A.

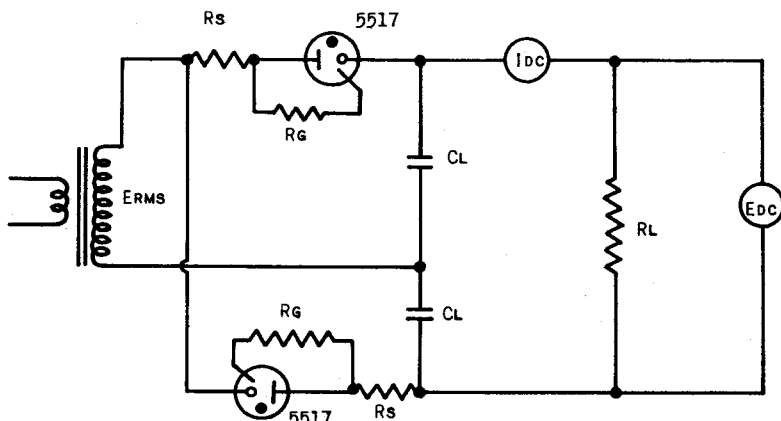
TUNG-SOL

Figure 1 - HALF WAVE RECTIFIER



ERMS VOLTS	Rs OHMS	Rg MEGOHMS	RL OHMS	CL MFD	EDC VOLTS	IDC MILLIAMPS
1,000	6,000 [Ⓢ]	12 [Ⓢ]	100,000	2	1000	10

Figure 2 - VOLTAGE DOUBLER, FULL WAVE



ERMS VOLTS	Rs OHMS	Rg MEGOHMS	RL OHMS	CL MFD	EDC VOLTS	IDC MILLIAMPS
1,200	6,000 [Ⓢ]	12 [Ⓢ]	255,000	4	2550	10

[Ⓢ] INCLUDING TRANSFORMER IMPEDANCE.

[Ⓢ] USE THREE 3.9 MEGOHM, 350V, 1/2 WATT RESISTORS IN SERIES.