

SUBMINIATURE R.F. PENTODE

DF62

Subminiature sharp cut-off R.F. Pentode for use in battery operated equipment.

FILAMENT

Suitable for d.c. operation only

V_f	1.25	V
I_f	100	mA

CAPACITANCES

C_{a-g1}	< 0.01	pF
C_{in}	4.0	pF
C_{out}	4.0	pF

CHARACTERISTICS

V_n	45	V
V_{g2}	45	V
V_{g1}	0	V
R_{g1}	2.0	MΩ
I_n	3.0	mA
I_{g2}	800	μA
g_m	2.0	mA/V
r_a	500	kΩ
μ_{g1-g2}	17.5	
R_{in} (f = 50Mc/s)	20	kΩ
R_{oq}	5.5	kΩ

OPERATING CONDITIONS AS A FREQUENCY CHANGER

V_n	45	67.5	V
V_{g2}	45	67.5	V
R_{g1-r}	100	100	kΩ
I_n	0.8	1.4	mA
I_{g2}	250	450	μA
$V_{OSC}(r.m.s.)$	3.5	4.0	V
I_{g1}	40	45	μA
g_c	490	600	μA/V
$g_m(\text{eff})$	600	800	μA/V
r_n	525	450	kΩ

LIMITING VALUES

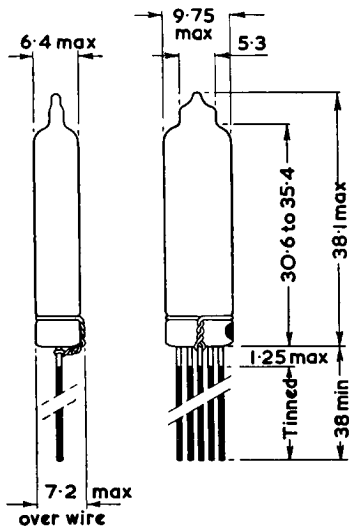
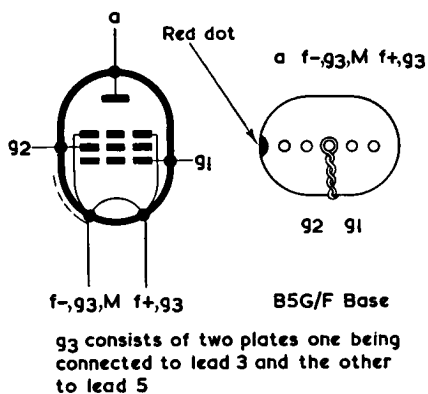
V_n max.	90	V
V_{g2} max.	90	V
I_k max.	6.5	mA
$V_{g1}(I_{g1} = +0.5\mu A)$	-0.5	V

DF62

SUBMINIATURE R.F. PENTODE

Subminiature sharp cut-off R.F. Pentode for use in battery operated equipment.

2926



All dimensions in mm