

RADAR TUBE

MB22-75 MF22-75

Direct viewing radar tube with 9-in. diameter flat-faced metal-backed screen primarily intended for use in P.P.I. applications.

The only difference between the MB22-75 and the MF22-75 is in the screen properties (see appropriate section of data).

This data should be read in conjunction with GENERAL OPERATIONAL RECOMMENDATIONS—CATHODE RAY TUBES included in this section of the handbook.

HEATER Indirectly heated
Suitable for series or parallel operation

V_h	6.3	V
I_h	300	mA

CAPACITANCES

C_g -all	<10	pF
C_k -all	<10	pF

SCREEN

Metal-backed		
Max. picture diameter	200	mm
Fluorescent colour	MB22-75 blue	MF22-75 orange—with orange afterglow
Persistence	short	long

FOCUSING

Magnetic

DEFLECTION

Double magnetic

MOUNTING POSITION

Any, except vertical with screen downwards and the axis of the tube making an angle of less than 20° with the vertical.

TYPICAL OPERATING CONDITIONS

V_a	15	kV
V_g for cut-off	-60 to -140	V

†Recommended distance of centre of magnetic length of focus unit from reference line 117 mm

†See appropriate section of 'General operational recommendations—cathode ray tubes'.

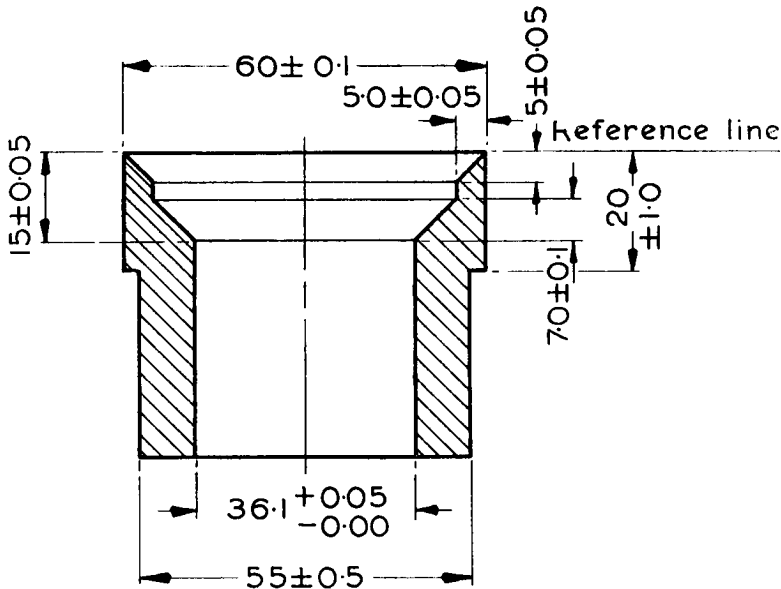
MB22-75 MF22-75

RADAR TUBE

LIMITING VALUES (absolute ratings)

V_{ii} max.	15.5	kV
V_{ii} min.	9.0	kV
$-V_g$ max.	200	V
$*I_k$ max.	150	μ A
V_{h-k} max.	150	V
R_{g-k} max.	1.5	M Ω
R_{h-k} max.	1.0	M Ω

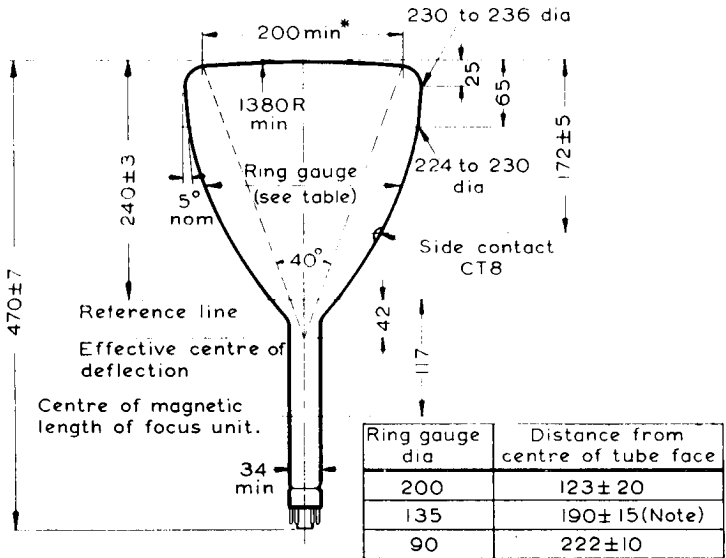
*The MF22-75 has a magnesium fluoride screen which is liable to burn if a stationary or slowly moving spot is used even with low values of mean beam current.



All dimensions in mm

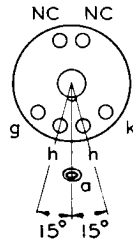
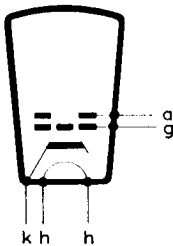
5614

REFERENCE LINE GAUGE



Note: The 135 dia gauge may have a chord of 30mm cut from the gauge face to a depth of 10mm to avoid the anode side contact.

*Diameter of useful screen area.



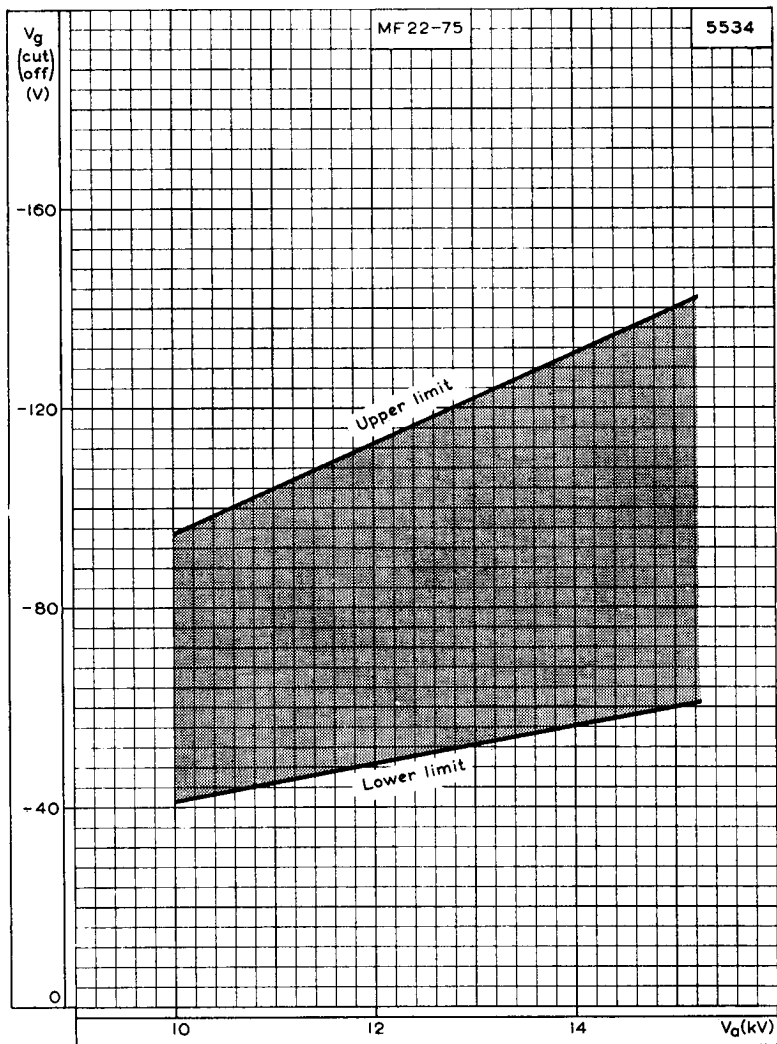
B12A Base

5610

All dimensions in mm

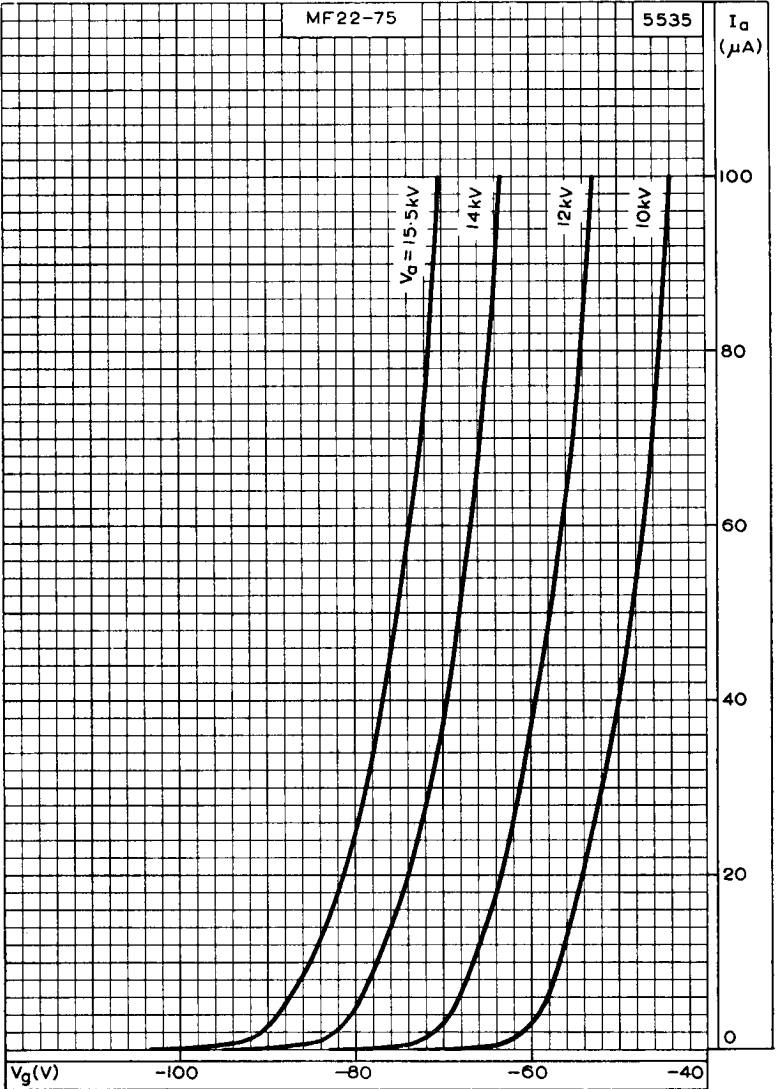
MB22-75 MF22-75

RADAR TUBE



LIMITS OF GRID CUT-OFF VOLTAGE FOR FINAL ANODE VOLTAGES FROM 10 TO 15kV





FINAL ANODE CURRENT PLOTTED AGAINST GRID VOLTAGE