

**CHARACTERISTICS**

**GENERAL DATA**

Focusing Method . . . . .	Magnetic
Deflecting Method . . . . .	Magnetic
Deflection Angle (approx.) . . . . .	50 Degrees
Phosphor . . . . .	P7
Fluorescence . . . . .	Blue-White
Phosphorescence . . . . .	Yellow
Persistence . . . . .	Long

**ELECTRICAL DATA**

Heater Voltage . . . . .	6.3 Volts
Heater Current (approx.) . . . . .	0.6 Ampere
Direct Interelectrode Capacitances (approx.)	
Cathode to All Other Electrodes . . . . .	5 $\mu\text{mf}$
Grid No. 1 to All Other Electrodes . . . . .	6 $\mu\text{mf}$

**MECHANICAL DATA**

Minimum Useful Screen Diameter . . . . .	9 Inches
Bulb Contact (Recessed Small Cavity Cap) . . . . .	J1-21
Base (Small Shell Duodecal 5-Pin) . . . . .	B5-57
Basing . . . . .	12D
Bulb Contact Aligns with Vacant Pin Position No. 3 . . . . .	$\pm 10$ Degrees

**RATINGS**

**MAXIMUM RATINGS (Design Center Values)**

Anode Voltage . . . . .	10,000 Volts dc
Grid No. 2 Voltage . . . . .	700 Volts dc
Grid No. 1 Voltage	
Negative Bias Value . . . . .	180 Volts dc
Positive Bias Value . . . . .	0 Volts dc
Positive Peak Value . . . . .	2 Volts
Peak Heater-Cathode Voltage	
Heater Negative with Respect to Cathode	
During Warm-up Period Not to Exceed	
15 Seconds . . . . .	410 Volts
After Warm-up Period . . . . .	150 Volts
Heater Positive with Respect to Cathode . . . . .	150 Volts

**RECOMMENDED OPERATING CONDITIONS**

Anode Voltage . . . . .	9,000 Volts dc
Grid No. 2 Voltage . . . . .	250 Volts dc
Grid No. 1 Voltage Required for Cutoff <sup>1</sup> . . . . .	-27 to -63 Volts dc
Focusing Coil Current (approx.) <sup>2</sup> . . . . .	105 Ma dc

**CIRCUIT VALUES**

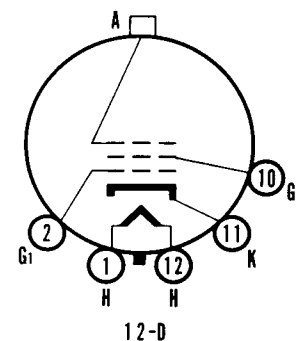
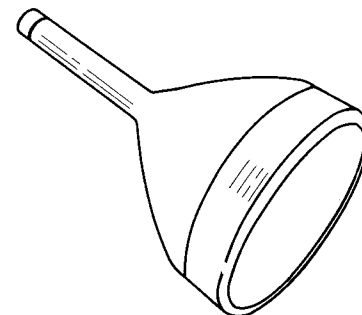
Grid No. 1 Circuit Resistance . . . . .	1.5 Megohms Max.
---	------------------

**NOTES:**

1. Visual extinction of undeflected focused spot.
2. For JETEC focusing coil 106 or equivalent, center three and one quarter inches from reference line.

**QUICK REFERENCE DATA**

Special Purpose Tube  
10" Direct Viewed  
Round Glass Type  
Magnetic Deflection  
Magnetic Focus



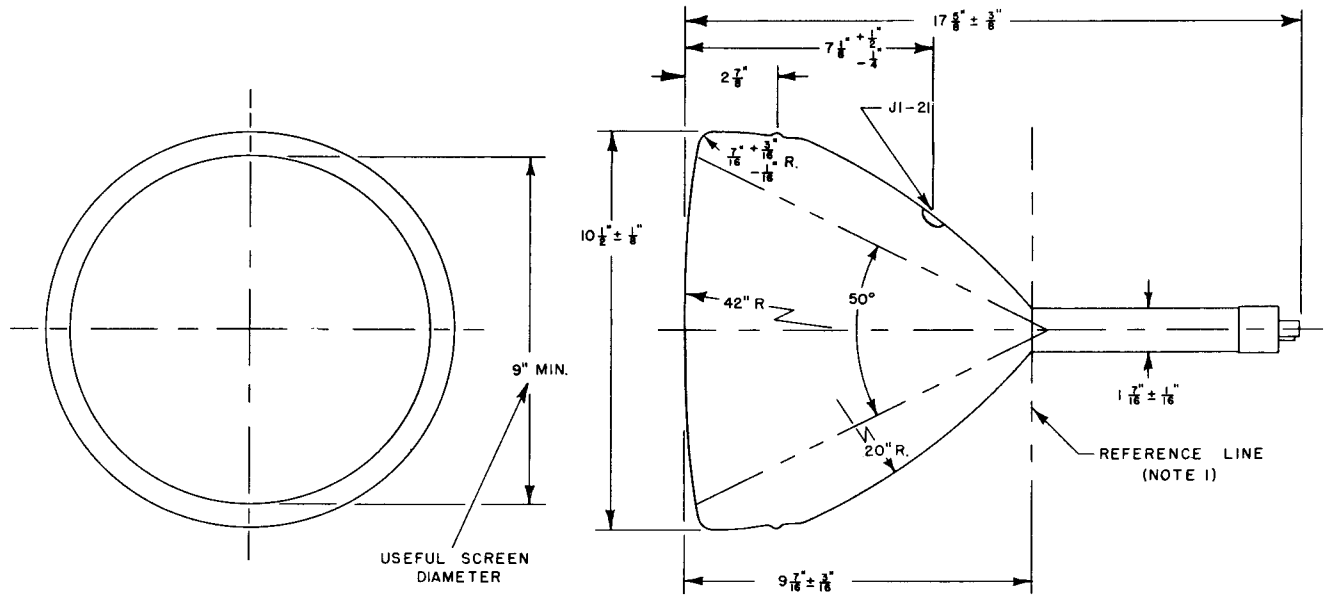
**SYLVANIA ELECTRIC  
PRODUCTS INC.**

**TELEVISION PICTURE TUBE  
DIVISION  
SENECA FALLS, NEW YORK**

*Prepared and Released By The  
TECHNICAL PUBLICATIONS SECTION  
EMPORIUM, PENNSYLVANIA*

SYLVANIA

10KP7



S52033A

**DIAGRAM NOTE:**

1. Reference line is determined by JETEC No. 112 reference line gauge.

**WARNING:**

X-ray radiation shielding may be necessary to protect against possible danger of personal injury from prolonged exposure at close range if this tube is operated at higher than the manufacturer's Maximum Rated Anode Voltage or 16,000 volts, whichever is less.