

**CHARACTERISTICS**

**GENERAL DATA**

Focusing Method . . . . .	Magnetic
Deflecting Method . . . . .	Magnetic
Deflecting Angle (approx.) . . . . .	52 Degrees
Phosphor . . . . .	P11
Fluorescence . . . . .	Blue
Persistence . . . . .	Short
Faceplate . . . . .	Gray Filter Glass

**ELECTRICAL DATA**

Heater Voltage . . . . .	6.3 Volts
Heater Current . . . . .	0.6 Ampere
Direct Interelectrode Capacitances (approx.)	
Cathode to All Other Electrodes . . . . .	5 $\mu\mu\text{f}$
Grid to All Other Electrodes . . . . .	6 $\mu\mu\text{f}$
External Conductive Coating to Anode . . . . .	1500 $\mu\mu\text{f}$ Max. 500 $\mu\mu\text{f}$ Min.

**MECHANICAL DATA**

Minimum Useful Screen Diameter . . . . .	.9 1/8 Inches
Bulb Contact (Recessed Small Cavity Cap) . . . . .	J1-21
Base (Small Shell Duodecal 5-Pin) . . . . .	B5-57
Basing . . . . .	12G
Bulb Contact Aligns with Vacant Pin Position No. 3 . . . . .	$\pm 30$ Degrees

**RATINGS**

**MAXIMUM RATINGS (Design Center Values)**

Anode Voltage . . . . .	25,000 Volts dc
Grid Voltage	
Negative Bias Value . . . . .	350 Volts dc
Positive Bias Value . . . . .	0 Volts dc
Positive Peak Value . . . . .	2 Volts
Peak Heater-Cathode Voltage	
Heater Negative with Respect to Cathode During Warm-Up Period Not to Exceed 15 Seconds . . . . .	410 Volts
After Equipment Warm-Up Period . . . . .	150 Volts
Heater Positive with Respect to Cathode . . . . .	150 Volts

**RECOMMENDED OPERATING CONDITIONS**

Anode Voltage . . . . .	18,000 Volts dc
Grid Voltage <sup>1</sup> . . . . .	-65 to -125 Volts dc
Focusing Coil Current (approx.) <sup>2</sup> . . . . .	.110 Ma dc

**CIRCUIT VALUES**

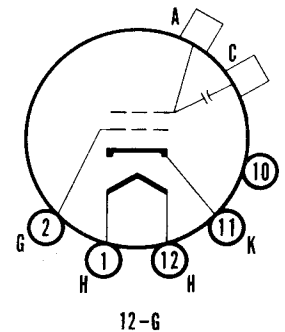
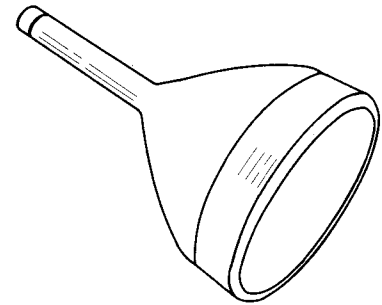
Grid No. 1 Circuit Resistance . . . . .	1.5 Megohms Max.
---	------------------

**NOTES:**

1. Visual extinction of undeflected focused spot.
2. For JETEC focusing 109 or equivalent, three and one quarter inches from reference line.

**QUICK REFERENCE DATA**

Special Purpose Tube  
10" Video Recording Tube  
Round Glass Type  
Magnetic Deflection  
Magnetic Focus  
Gray Filter Glass  
Aluminized Screen



**SYLVANIA ELECTRIC  
PRODUCTS INC.**

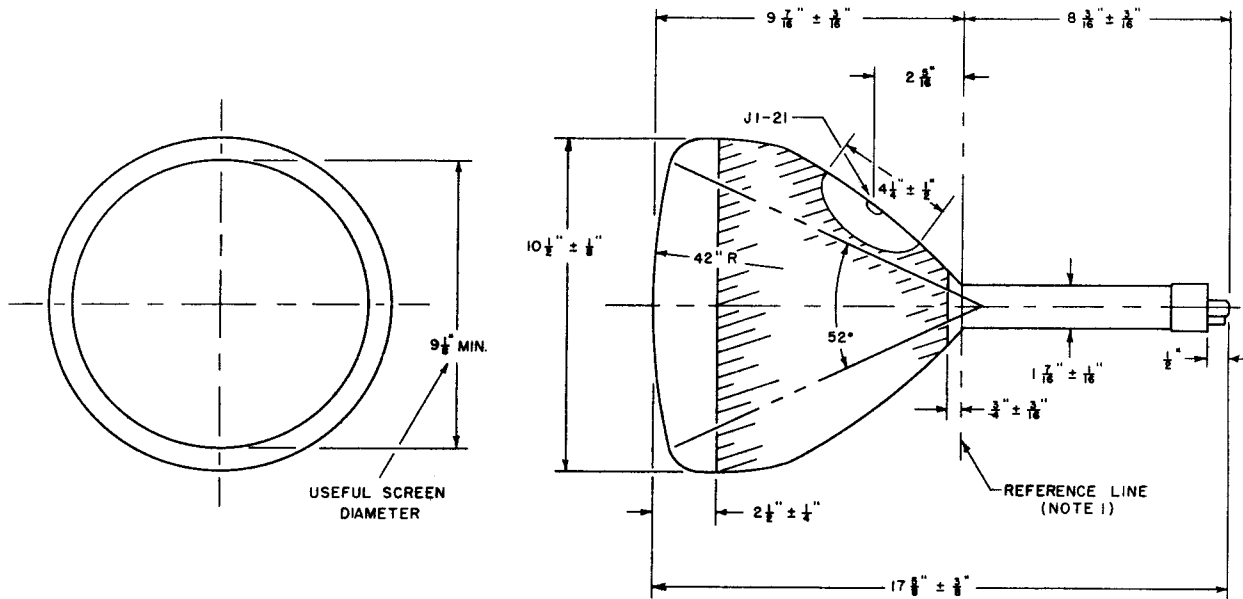
TELEVISION PICTURE TUBE  
DIVISION  
SENECA FALLS, NEW YORK

Prepared and Released By The  
TECHNICAL PUBLICATIONS SECTION  
EMPORIUM, PENNSYLVANIA

JULY, 1954

SYLVANIA

# 10NP11



S52026A

## DIAGRAM NOTES:

1. Reference line is determined by position where JETEC reference line gauge No. 112 will rest on the bulb cone.

## WARNING:

X-ray radiation shielding may be necessary to protect against possible danger of personal injury from prolonged exposure at close range if this tube is operated at higher than the manufacturer's Maximum Rated Anode Voltage or 16,000 volts, whichever is less.