



Excellence in Electronics

**CK7572
QK703**

GENERAL DESCRIPTION

The CK7572/QK703 is a dual-gun cathode-ray Recording Storage Tube of which one gun can be used for writing and the second for reading. Stored signals can be held for many hours, read several thousand times, or erased in a fraction of a second if desired. Both the writing and reading guns use magnetic deflection and can be operated with either electrostatic or magnetic focus or a combination form of focus. The guns are scanned independently, making it possible to use the tube for scan conversion. The properties of integration ability, dynamic range, storage duration and speed of operation in the various modes are approximately equivalent quantitatively with those found in the prototype tube, the CK6835/QK464A. Where simultaneous writing and reading and high level read output are prime considerations, the CK7575/QK787 is frequently preferred.

GENERAL CHARACTERISTICS

Gun Locations	Co-axial
Gun Type (Both Guns)	Tetrode, High Resolution
Deflection (Both Guns)	Magnetic
Max. Defl. Angle (Both Guns)	30°
Focusing	Electrostatic or Magnetic
Mounting Position	Any
Resolution (Magnetic Focus)	1000 Lines Nominal
Resolution (Electrostatic Focus)	700 Lines Nominal
Output Capacitance (Col. plus Write Dec. to all elements.)	30 uuf
Erasing Technique	By Switching or Automatic

MECHANICAL CHARACTERISTICS

Overall Length	24" Nominal
Bulb Diameter	3" Nominal
Neck Diameters	1½" Maximum
Storage Screen Diameter	2"
Bases (Both Ends)	Small Shell Duodecal
Storage Assembly Buttons	JETEC Type J1-22



**RECORDING
STORAGE
TUBE**



ELECTRICAL CHARACTERISTICS

Heater

Heater Voltage 6.3 ± 10%
 Heater Current 0.6A

Maximum Ratings

Anode Voltage 4000 Vdc
 Grid #1 Negative Bias -125 Vdc
 Grid #2 Voltage 1000 Vdc
 Inter-Screen Voltage (between any pair) 600 Vdc
 Focus Electrode Voltage 4000 Vdc

TYPICAL OPERATING CONDITIONS

Write Gun

Mode #1

Mode #2

Cathode	0 Vdc	0 Vdc
G-1 Cut-off	-30 Vdc	-30 Vdc
G-2	400 Vdc	400 Vdc
Anode	3500 Vdc	3500 Vdc
Focus Electrode note 1	400 Vdc	400 Vdc
Focus Electrode note 2	3500 Vdc	3500 Vdc
Write Decelerator	500 Vdc	500 Vdc
Collimating Lens 1	500 Vdc	500 Vdc
Collimating Lens 2	300 Vdc	300 Vdc
Collector	500 Vdc	500 Vdc note 4

Read Gun

Mode #1

Mode #2

Cathode	E_{KR} note 3	200 Vdc
G-1 Cut-off	E_{KR} -30 Vdc	170 Vdc
G-2	$E_{KR}+$ 400 Vdc	600 Vdc
Anode	$E_{KR}+$ 3500 Vdc	3700 Vdc
Focus Electrode note 1	$E_{KR}+$ 400 Vdc	600 Vdc
Focus Electrode note 2	$E_{KR}+$ 3500 Vdc	3700 Vdc
Collimating Lens 1	$E_{KR}+$ 500 Vdc	700 Vdc
Collimating Lens 2	$E_{KR}+$ 300 Vdc	500 Vdc
Decelerator	$E_{KR}+$ 500 Vdc	700 Vdc
Storage Screen	$E_{KR}+$ 20 Vdc	205 Vdc

Note 1. If electrostatic focus is used

Note 2. If magnetic focus is used

Note 3. The read gun potential will be switched during the various modes of operation. The values of E_{KR} are as follows:

Erase	300 Vdc
Prime	10 Vdc
Write	300 Vdc

INDUSTRIAL TUBE DIVISION

RAYTHEON COMPANY



RECORDING STORAGE TUBE

- Note 4. Gradual automatic priming is controllable by varying the value of collector voltage from 500 Vdc (for slow erasing) down to 200 Vdc (for fast erasing). The same effect may also be achieved by varying the value of read cathode from 200 Vdc (for slow erasing) to 500 Vdc (for fast erasing) while keeping all read gun voltages the same with respect to read cathode.

DETAILED ELECTRICAL INFORMATION

In mode 1 operation, in order to erase and write a picture on the storage screen, the storage screen must be about 300 Vdc positive with respect to the write gun cathode. For priming the storage screen must be about 30 Vdc positive to the write gun cathode. While all of these modes are in operation, the storage screen must remain about 20 volts positive with respect to the read gun cathode.

In Mode 2, one technique for simultaneous writing and reading is RF modulation of the read beam. The output signal is obtained from the collector and write decelerator. Video cancellation techniques may also be practical.

RESOLVING POWER

The resolution of the storage tube at the 50% modulation level is usually in excess of 1000 lines across the diameter and is obtainable when the minimum current for writing a fully modulated signal is employed and the focus coil magnetic shell is designed to minimize astigmatism. Resolution is also dependent on the orientation of the focus coil with respect to the gun, and the sharpness of focus across the storage screen. Therefore, for applications requiring optimum resolution, dynamic focusing is often needed.

STORAGE ABILITY

The length of time a tube will retain the stored information is a function of the operating conditions and varies inversely as the reading current.

When reading with a low beam current of about 2 μ A at a television repetition rate and scan, several thousand consecutive readings can be made without any appreciable deterioration of the stored signal.

The tube is capable of storing information for many hours without appreciable change or deterioration when not reading.

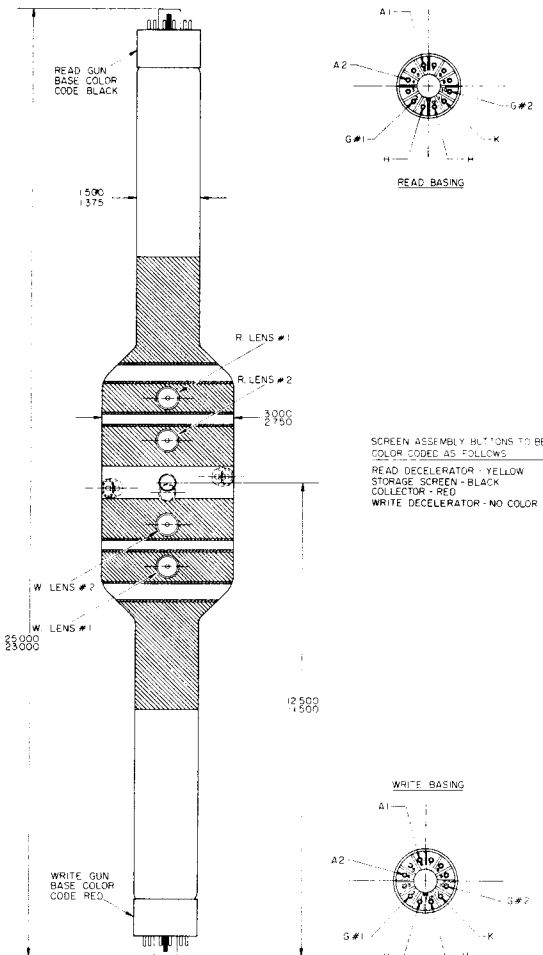
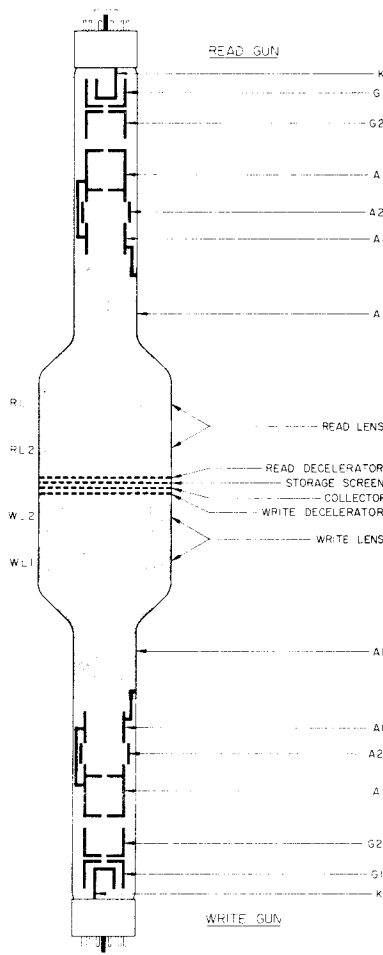
FOCUSING TECHNIQUE

This tube can be focused electrostatically, magnetically or using a combination of fixed focus by one technique and dynamic focus correction by the second. Magnetic dc focusing provides higher resolution than does electrostatic but frequently requires more power. When magnetic focusing is being used, the Focus Electrode is set at anode potential; when electrostatic focusing is being used, the Focus Electrode is typically set at 400 Vdc when the anode is set at 3500 Vdc.

The recommended technique for dynamic focusing is to apply 1000 to 1500 Vdc to the focus electrode, then adjust the magnetic focus for optimum resolution near the center of the storage target, and finally apply the base-damped parabolic correction waveform to the focus electrode such that the edges of the target are brought into focus. Approximately 350 Vac pk to pk correction signal will provide correction across the diameter of the target at the above focus electrode voltage.



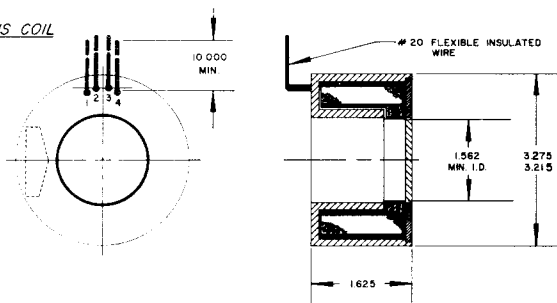
RECORDING STORAGE TUBE



BM-411 FOCUS COIL

LEADS

- #1-S1
- #2-F1
- #3-S2
- #4-F2



FOCUS COIL

Resistance — 6500 to 9000 ohms (at 20°C)
 Max. Current — 25 ma dc
 Voltage Rating — 250 V

Notes:

- 1) For use with recording storage tubes and simulators.
- 2) Ticker coil is provided to permit compensating for improper focus at the edges of a pattern caused by the variation in distance from the center of deflection to a) the center of a storage area of a storage tube, b) the periphery of the storage area.
- 3) When not required, the ticker coil may be left unconnected.
- 4) Shell material — annealed swedish iron or equivalent.

TICKLER COIL

Resistance — 35 to 50 ohms (at 20°C)
 Max. current — 30 mA RMS
 Voltage rating — 250 V
 Inductance — 45 Millihenries
 Approx.

INDUSTRIAL TUBE DIVISION

RAYTHEON COMPANY

55 CHAPEL ST., NEWTON 58, MASS.