



Triode Type BR179

General. The BR 179 is a forced-air-cooled transmitting triode fitted with a thoriated tungsten filament.

Cooling. The anode requires forced air cooling. The air cooling and air flow characteristics given show the air inlet temperature °C/anode + grid loss; and air flow/air pressure, for the conditions of suction air cooling.

The external grid and filament seals also require air cooling. The volume of air necessary is approximately 15 cu. ft. per minute and should be directed on to the seals from above through a 1-in. nozzle.

The temperature of the anode must not exceed 180°C and that of the grid and filament seals must not exceed 140°C.

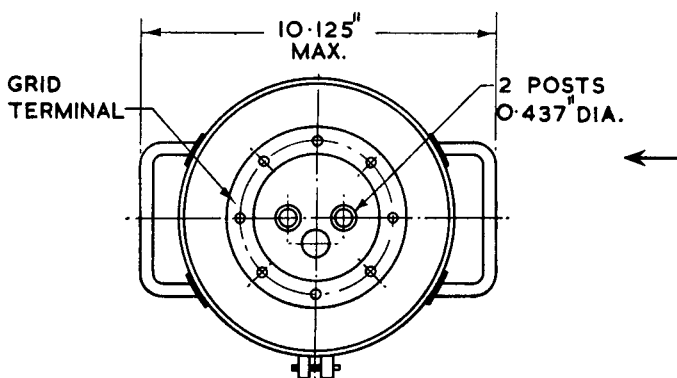
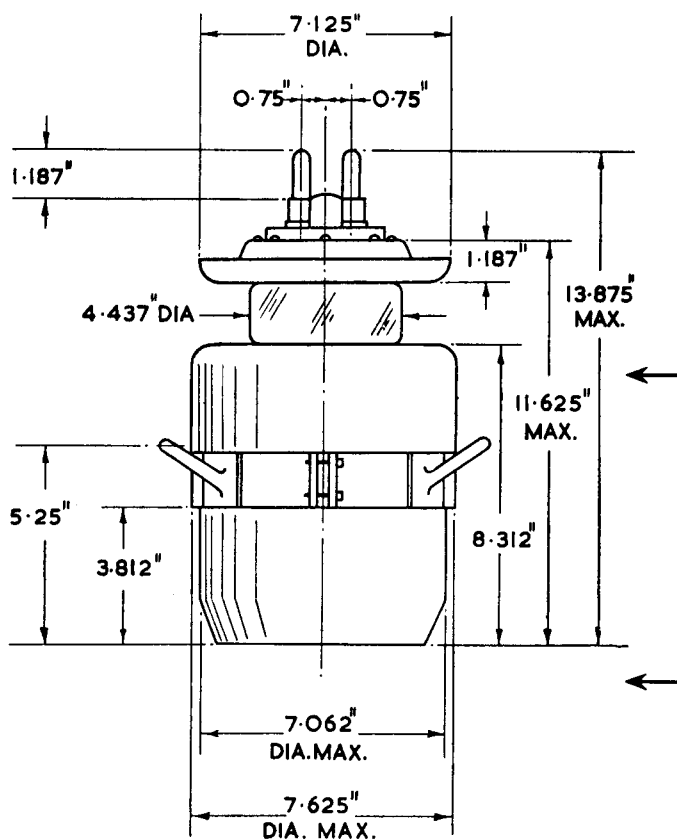
All air supplies must be started before the application of any supply voltage and should be continued, for at least one minute, after the removal of all supply voltages.

Filament Starting. The cold filament resistance is approximately 0.008 Ω. The filament current must not exceed 195 A at any time during the switching-on period.

APPROXIMATE DATA

V_f	6.6	V^*
I_f	90	A
V_a (max)	8.5	kV
P_a (max)	8	kW
P_{g1} (max)	0.6	kW
μ	} taken at } V_a 5 kV, I_a 1A {	28
g_m		10
I_k (pk)	16	A
f (max) (at full ratings)	100	Mc/s
C_{a-g1}	32	pF
C_{a-k}	1	pF
C_{g1-k}	33	pF

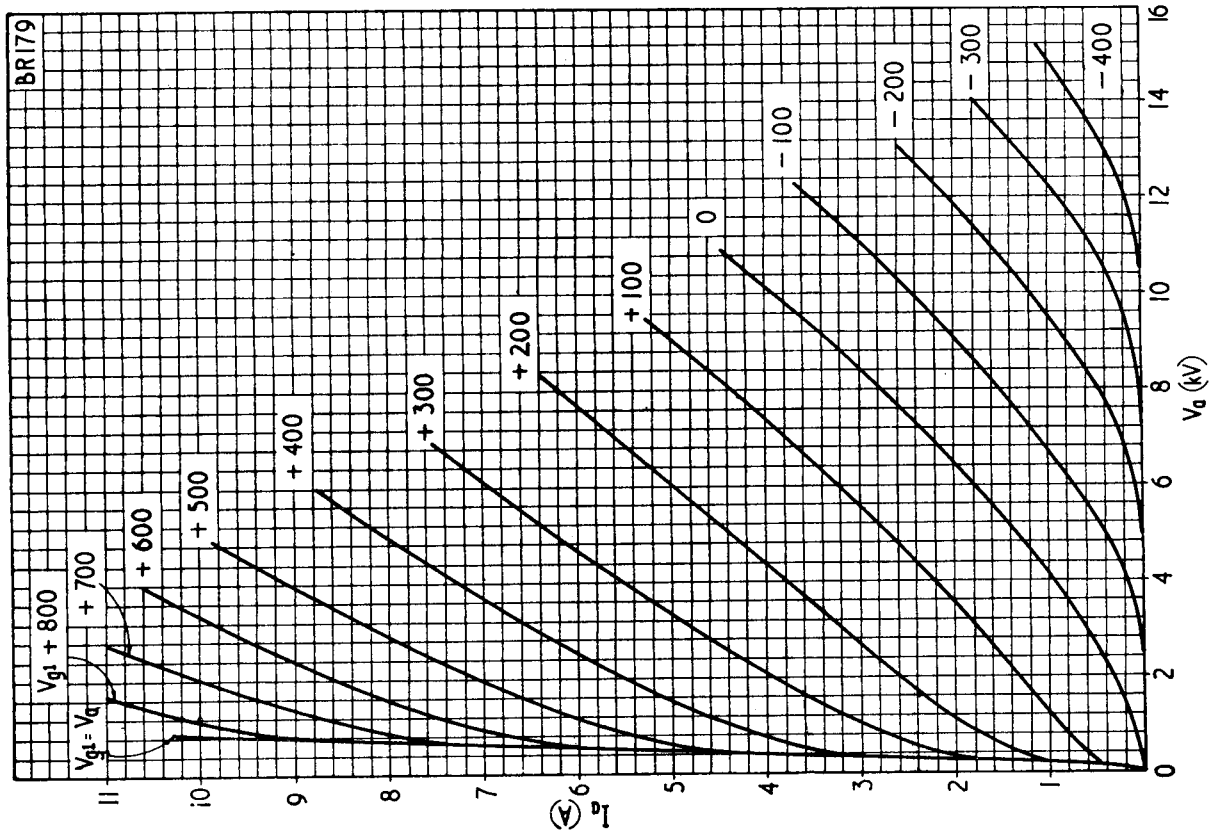
* This valve must be operated at the stated filament voltage.



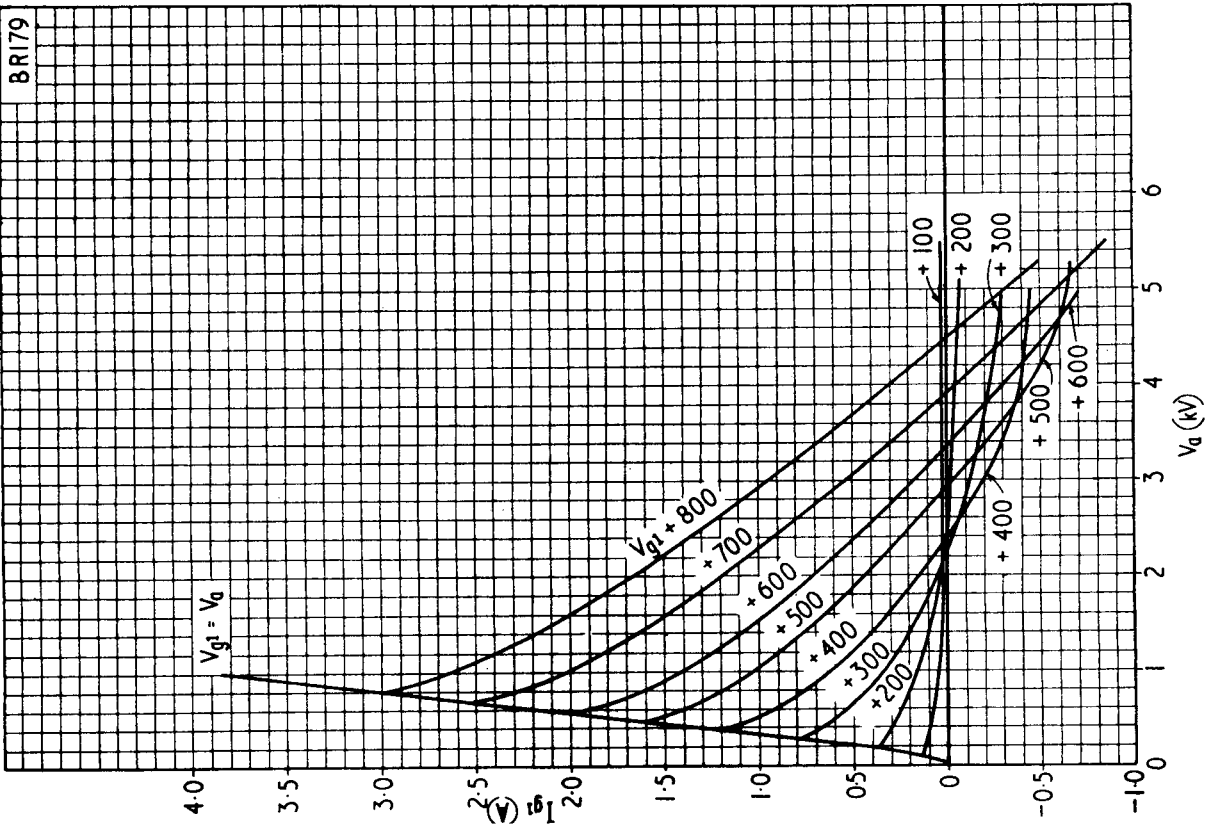
MARCONI'S WIRELESS TELEGRAPH COMPANY LIMITED

Head Office: Marconi House, Chelmsford, England. Telephone: Chelmsford 3221. Telegraphic Address: Expanse, Chelmsford

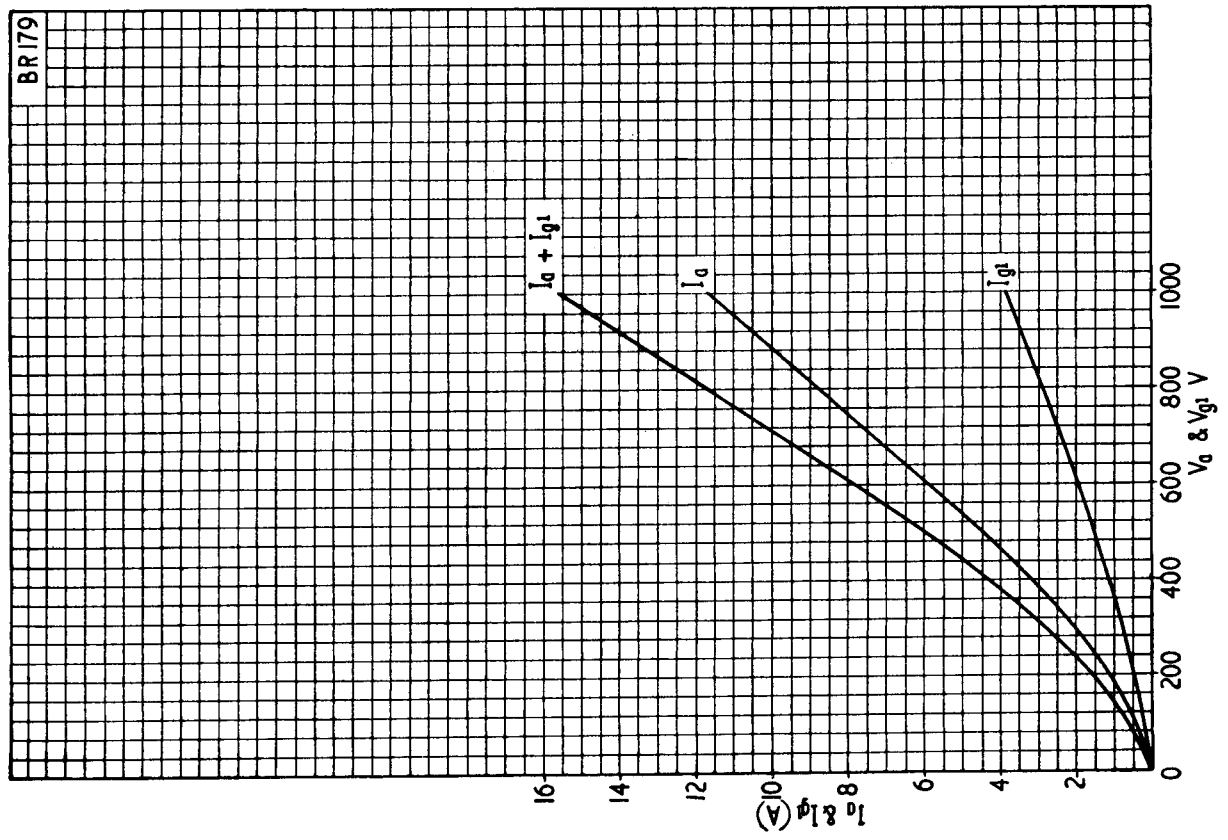
BR179



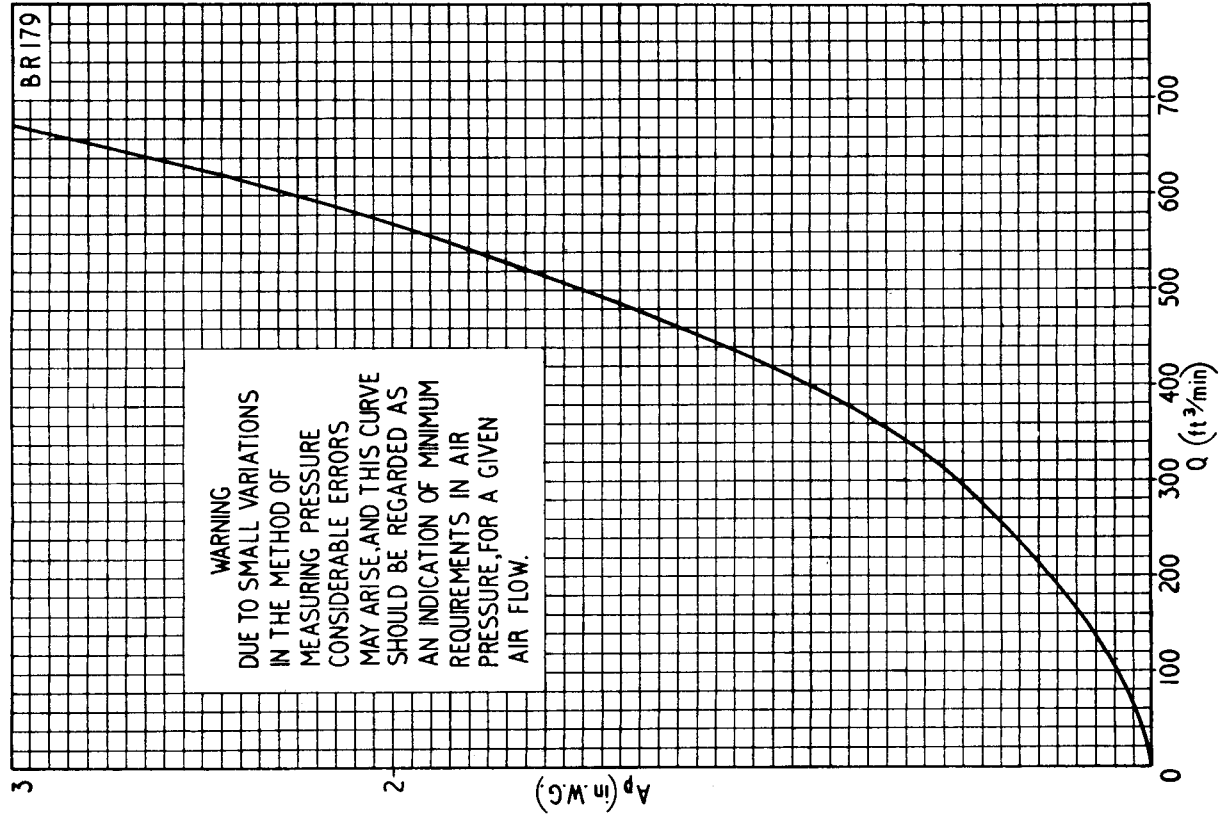
BR179



BR 179



BR 179



WARNING
DUE TO SMALL VARIATIONS
IN THE METHOD OF
MEASURING PRESSURE
CONSIDERABLE ERRORS
MAY ARISE. AND THIS CURVE
SHOULD BE REGARDED AS
AN INDICATION OF MINIMUM
REQUIREMENTS IN AIR
PRESSURE, FOR A GIVEN
AIR FLOW.

BR179

