



THYRATRON

DESCRIPTION

The GL-2050 is a small, double-grid, inert-gas-filled thyatron designed for grid-controlled rectifier service. The control characteristic is independent of ambient temperature over a wide range. The tube is not appreciably affected by line-voltage

surges because of the low grid-to-anode capacitance. High sensitivity, the result of low grid current which allows the use of high resistance in the grid circuit, permits operation of the GL-2050 thyatron from a vacuum-type phototube.

TECHNICAL INFORMATION

These data are for reference only. For design information refer to specifications.

GENERAL CHARACTERISTICS

Number of electrodes 4

Electrical

Cathode—Indirectly heated type

Voltage 6.3 volts

Current, approx. 0.6 ampere

Heating time, minimum 10 seconds

Peak voltage drop, approx. 8 volts

Grid resistors*

Minimum 0.01 megohm

Maximum 10 megohms

Anode to control-grid capacitance, approx. 0.26 micromicrofarad

**When this tube is operated with an alternating anode voltage and a high value of grid-circuit resistance, the grid-anode capacitance should be made as small as possible by placing the grid resistor directly at the socket terminal, by connecting pins 4 and 8 together at the socket, and by using a close fitting bulb shield connected to the cathode terminal.*



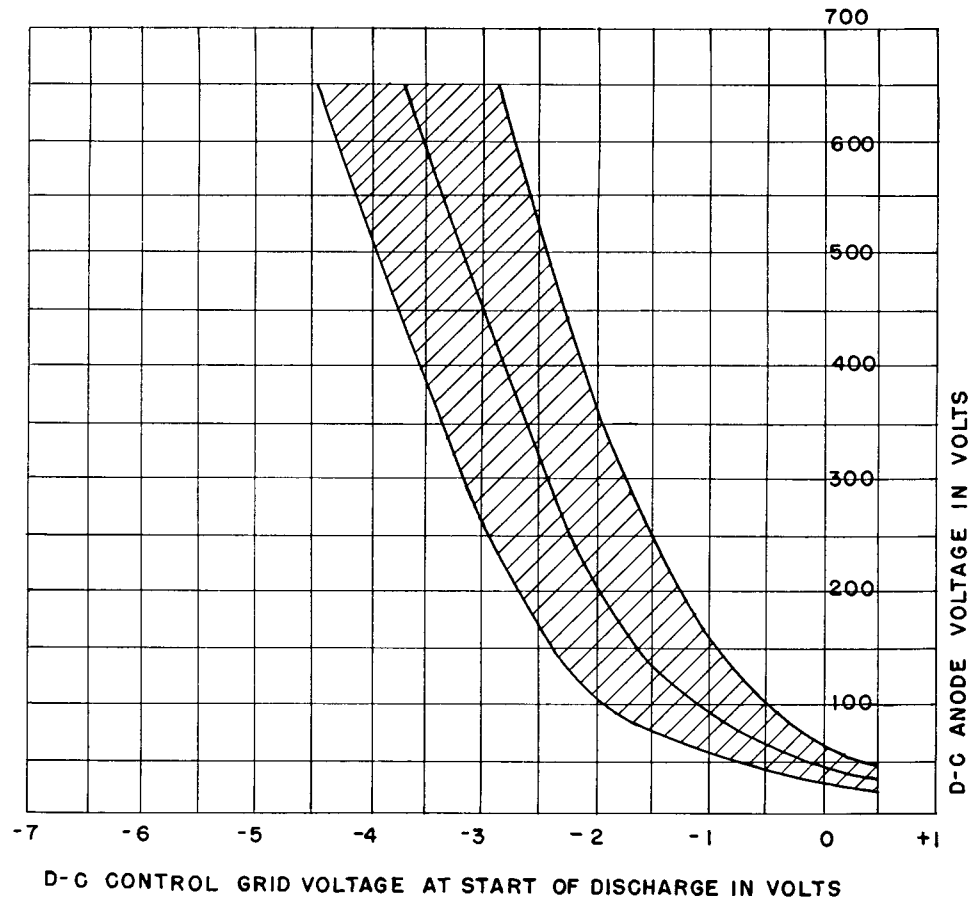
TECHNICAL INFORMATION (CONT'D)

Mechanical

Net weight, approx.	2	ounces
Shipping weight, approx.	3	pounds
Operating position.		vertical or horizontal

MAXIMUM RATINGS

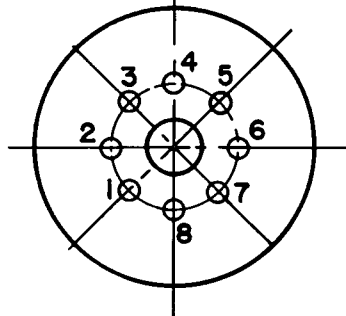
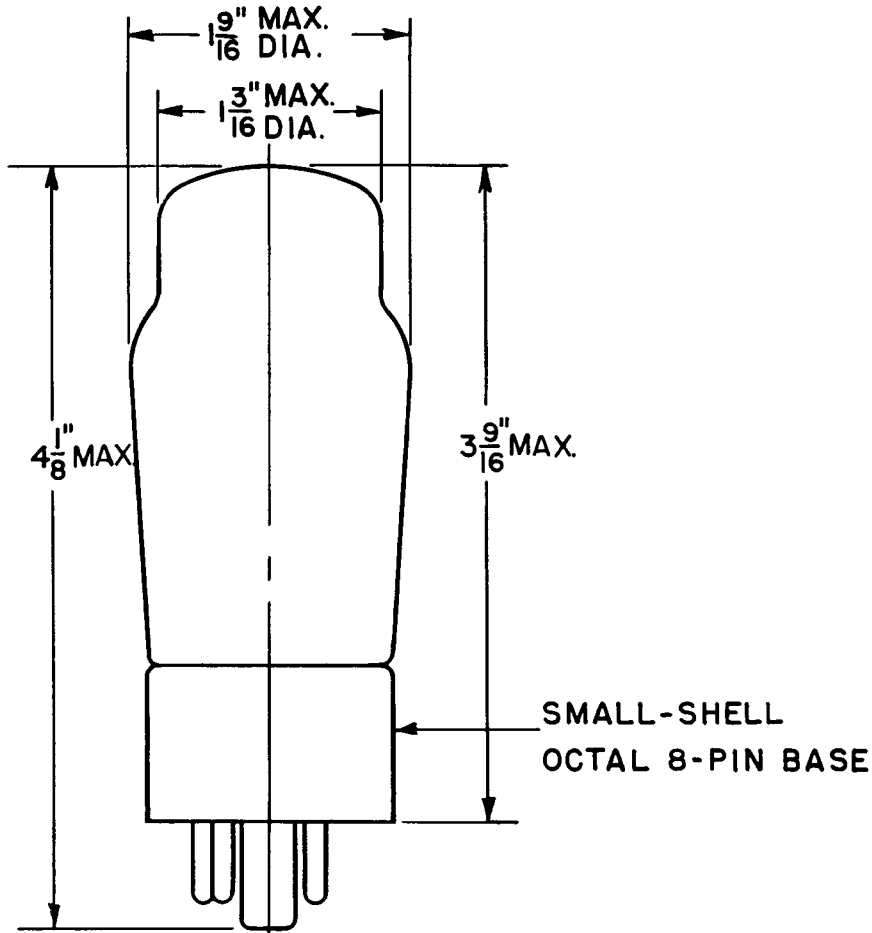
Maximum peak anode voltage		
Inverse.	1300	volts
Forward.	650	volts
Shield-grid voltage.	-100	volts
Control-grid voltage.	-100	volts
Maximum anode current		
Instantaneous.	500	milliamperes
Average.	100	milliamperes
Maximum time of averaging current.	30	seconds



K-8639641

6-6-44

GL-2050
 TYPICAL CONTROL CHARACTERISTICS
 SHADED AREA SHOWS RANGE OF CHARACTERISTICS
 SHIELD GRID CONNECTED TO CATHODE



OUTLINE
 GL-2050 THYRATRON

PIN	CONNECTION
1	NO CONNECTION
2	HEATER
3	ANODE
4	NO CONNECTION
5	CONTROL GRID
6	SHIELD GRID
7	HEATER
8	CATHODE

Electronics Department
GENERAL  ELECTRIC
Schenectady, N. Y.