

— PRODUCT INFORMATION —

7391

Planar Triode

**FOR GROUNDED-GRID CLASS C
OSCILLATOR APPLICATIONS**

The 7391 is a high-mu, metal-and-ceramic triode intended for operation as a grounded-grid, Class C oscillator at frequencies as high as 6000 megacycles.

Features of the tube include small size, planar electrode construction with close spacing, inherent rigidity, and an envelope structure convenient for coaxial circuit applications.

The physical appearance and dimensions of the 7391 are identical to those of the 6299.

GENERAL

ELECTRICAL

Cathode - Coated Unipotential

Heater Characteristics and Ratings

Heater Voltage, AC or DC*	6.3±0.3	Volts
Heater Current†	0.38	Amperes
Cathode Heating Time, minimum	60	Seconds

Direct Interelectrode Capacitances‡

Grid to Plate: (g to p)	1.58	pf
Grid to Cathode and Heater:		
g to (h + k)	3.25	pf
Plate to Cathode and Heater:		
p to (h + k)	0.0158	pf

MECHANICAL

Operating Position - Any	
Net Weight, approximate	1/6 Ounce
Cooling - Conduction¶	

MAXIMUM RATINGS

ABSOLUTE-MAXIMUM VALUES

Plate Voltage	200	Volts
Negative DC Grid Voltage	15	Volts
Plate Dissipation	2.25	Watts
DC Plate Current	15	Milliamperes
DC Grid Current	3.0	Milliamperes
DC Cathode Current	15	Milliamperes
Envelope Temperature at Hottest Point	150	C

Absolute-Maximum ratings are limiting values of operating and environmental conditions applicable to any electron tube of a specified type as defined by its published data and should not be exceeded under the worst probable conditions.

The tube manufacturer chooses these values to provide acceptable serviceability of the tube, making no allowance for equipment variations, environmental variations, and the effects of changes in operating conditions due to variations in the characteristics of the tube under consideration and of

all other electron devices in the equipment.

The equipment manufacturer should design so that initially and throughout life no absolute-maximum value for the intended service is exceeded with any tube under the worst probable operating conditions with respect to supply-voltage variation, equipment component variation, equipment control adjustment, load variation, signal variation, environmental conditions, and variations in the characteristics of the tube under consideration and of all other electron devices in the equipment.

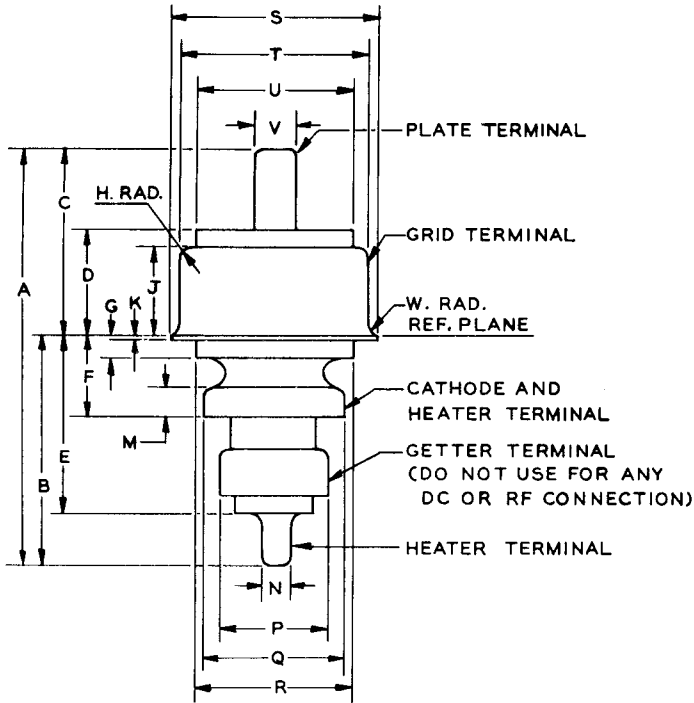
The tubes and arrangements disclosed herein may be covered by patents of General Electric Company or others. Neither the disclosure of any information herein nor the sale of tubes by General Electric Company conveys any license under patent claims covering combinations of tubes with other devices or elements. In the absence of an

express written agreement to the contrary, General Electric Company assumes no liability for patent infringement arising out of any use of the tubes with other devices or elements by any purchaser of tubes or others.

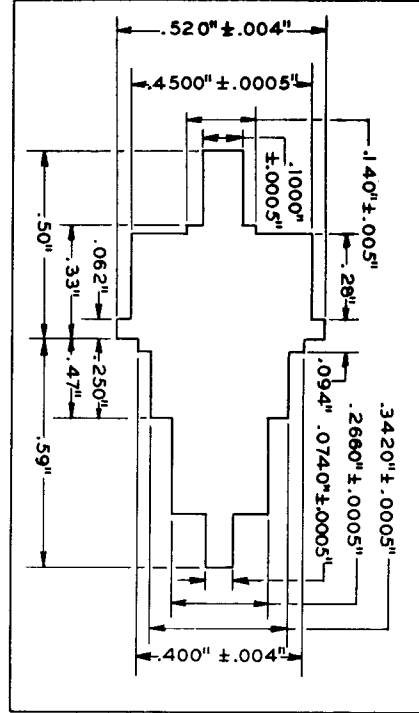


Supersedes ET-T1614A dated 12-61

PHYSICAL DIMENSIONS

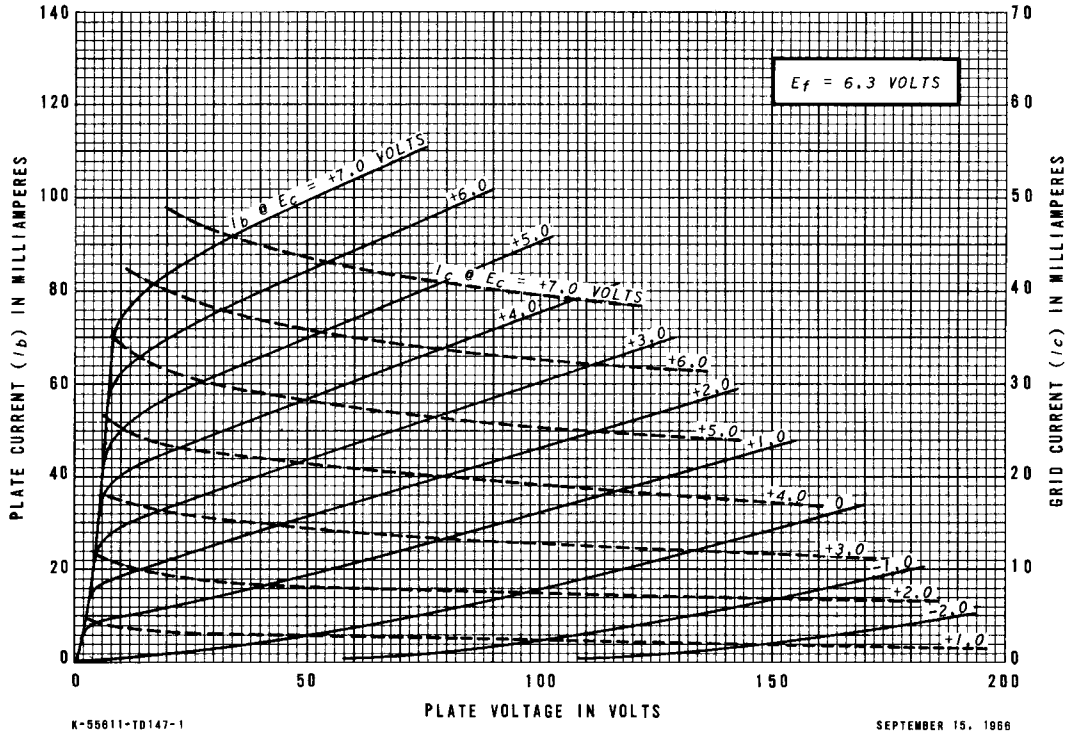


ALIGNMENT GAUGE

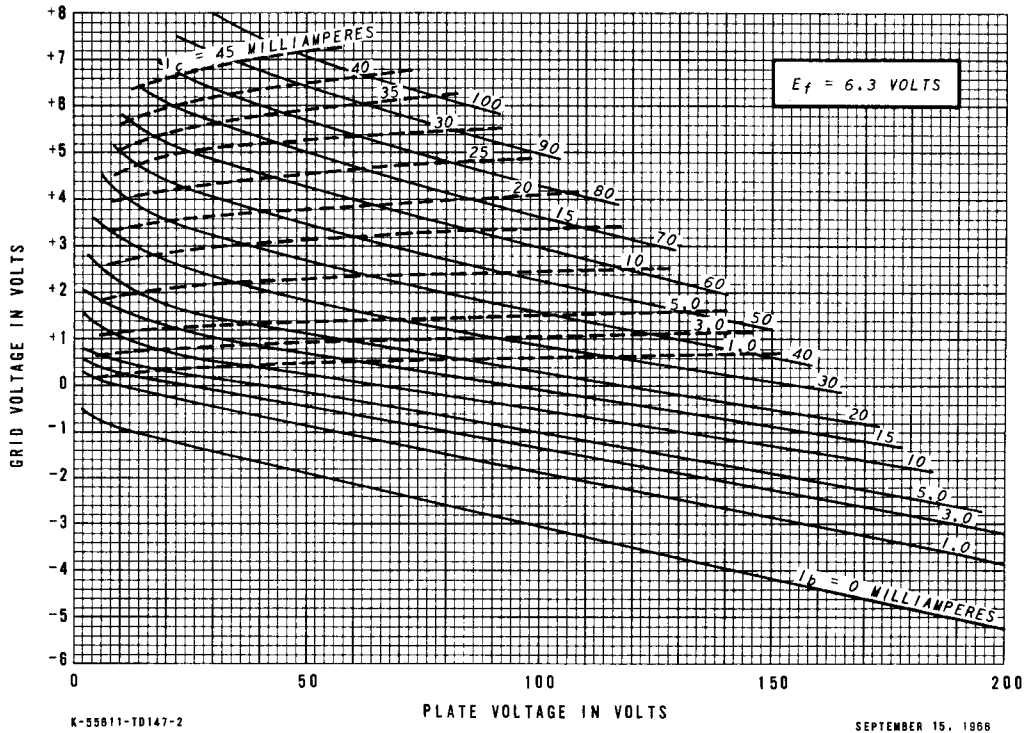


Ref.	INCHES		MILLIMETERS	
	Minimum	Maximum	Minimum	Maximum
A	0.960	1.040	24.38	26.42
B	0.530	0.590	13.46	14.99
C	0.410	0.470	10.41	11.94
D	---	0.272	---	6.91
E	---	0.475	---	12.07
F	0.163	0.193	4.14	4.90
G	---	0.060	---	1.52
H	---	0.030	---	0.76
J	0.190	0.210	4.83	5.33
K	0.009	0.015	0.23	0.38
M	0.040	0.070	1.02	1.78
N	0.059	0.065	1.50	1.65
P	---	0.257	---	6.53
Q	0.326	0.334	8.28	8.48
R	---	0.385	---	9.78
S	0.483	0.497	12.27	12.62
T	0.435	0.445	11.05	11.30
U	---	0.385	---	9.78
V	0.088	0.094	2.24	2.39
W	---	0.008	---	0.20

AVERAGE PLATE CHARACTERISTICS



AVERAGE CONSTANT-CURRENT CHARACTERISTICS



TUBE DEPARTMENT



Owensboro, Kentucky