

Mullard

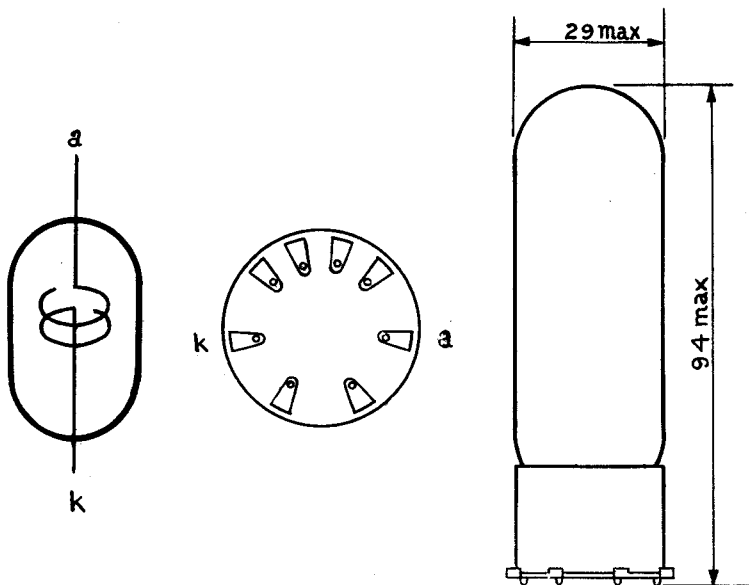
NEON STABILISING TUBE

4687

Operating Conditions

V starting max	115	V	←
V burning	85-100	V	
I quiescent	20	mA	
I max	40	mA	
I min	10	mA	←
A.C. resistance max	250	ohms	

Arrangement of electrodes and base connections



4687

4687

Mullard NEON STABILISING TUBE

