

PICTURE TUBE FOR TELEVISION RECEPTION

9 - Inch Screen.

| | |
|--------------------|--------------------------|
| Heater | Vf = 4.0 V |
| | If = 1.0 A |
| Capacity | Cg = 13.0 uuF |
| Fluorescent Colour | - White |
| Deflection | - Double Electromagnetic |

→ Operating Conditions

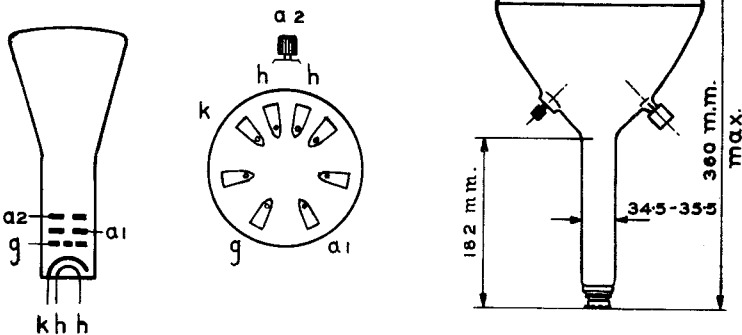
| | | |
|-----------|------|---------|
| Va2 | 5000 | 5000 V |
| Val | 125 | 250 V |
| -Vg | 0-50 | 0-100 V |

→ With centre of deflection coils 203 mm. from the screen, the deflection sensitivity is 0.09L mm. per gauss.

L = length of the electron path through the field of the deflection coil (mm.)

Limiting Values

| | | |
|---------------------------------------|------|----------------------|
| Va2 max | 5000 | V |
| Val max | 250 | V |
| Ia2 max | 100 | uA ← |
| Screen dissipation (peak) | 10 | mW/cm ² ← |
| Screen dissipation (continuous) | 2 | mW/cm ² ← |



MW22-1

Mullard PICTURE TUBE

