

# Mullard

## PICTURE TUBE

# MW31-3

### PICTURE TUBE FOR TELEVISION RECEPTION

12 - Inch Screen

Heater  $V_f = 6.3 \text{ V}$   
 $I_f = 0.65 \text{ A}$  ←

Capacity  $C_g = 13.0 \text{ }\mu\text{F}$

Fluorescent Colour - White

Deflection - Double Electromagnetic

#### → Operating Conditions

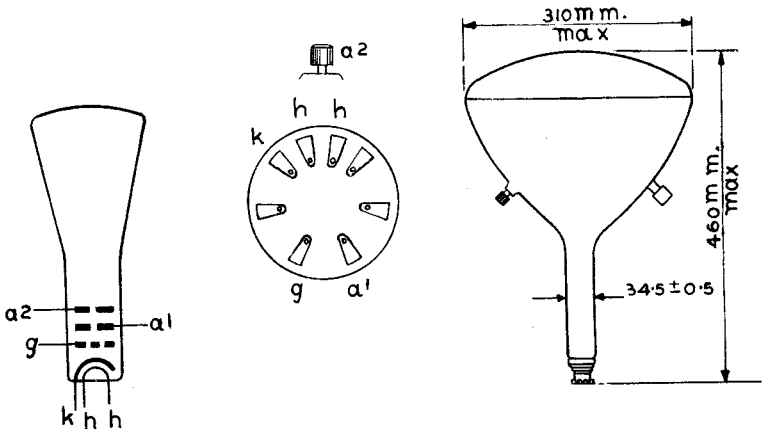
$V_{a2}$  ..... 5000                      5000    V  
 $V_{a1}$  ..... 125                            250    V  
 $-V_g$  ..... 0-50                            0-100   V

→ With centre of deflection coils 305 mm. from the screen, the deflection sensitivity is 0.12L mm. per gauss.

L = length of the electron path through the field of the deflection coil (mm.)

#### Limiting Values

$V_{a2}$  max ..... 5000                      V  
 $V_{a1}$  max ..... 250                            V  
 $I_{a2}$  max ..... 100                             $\mu\text{A}$  ←  
 Screen dissipation (peak) ..... 10  $\text{mW/cm}^2$  ←  
 Screen dissipation (continuous) ..... 2  $\text{mW/cm}^2$  ←



MW31-3

1340/1

# MW31-3

# Mullard PICTURE TUBE

