

Mullard

PICTURE TUBE

MW31-6

PICTURE TUBE FOR TELEVISION RECEPTION

12 - Inch Screen

Heater	Vf =	6.3 V
	If =	0.8 A
Capacity	Cg =	12.0 uuF ←
Fluorescent Colour	- White	
Deflection	- Double Electromagnetic	

→ Operating Conditions

Va2	5000	5000 V
Val	125	250 V
-Vg	0-50	0-100 V

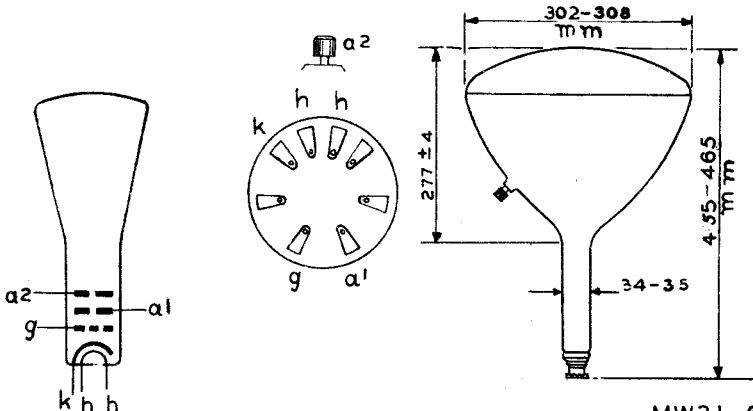
→ With centre of deflection coils 305 mm. from the screen, the deflection sensitivity is 0.12L mm. per gauss.

L = length of the electron path through the field of the deflection coil (mm.)

Limiting Values

Va2 max	5000	V
Val max	250	V
Ia2 max	100	uA ←
Screen dissipation (peak)	10	mW/cm ² ←
Screen dissipation (continuous)	2	mW/cm ² ←

Arrangement of electrodes and base connections.



MW31-6

1340/1

MW31-6

Mullard PICTURE TUBE

