

HALF WAVE RECTIFIER

HVR2

Directly-heated high voltage rectifier for
cathode ray tube and test equipment.

HEATER

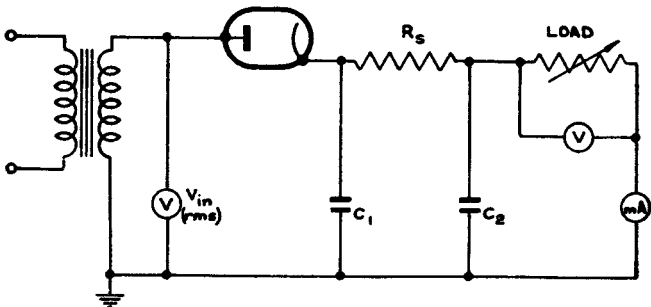
V_h	4.0	V
I_h	0.65	A
Heating time	40	secs.

OPERATING CONDITIONS

Max. Anode Voltage	6,000	V _{rms}
Max. Rectified Current	3.0	mA
Max. Peak Inverse Voltage	20,000	V

CIRCUIT

A typical circuit is shown below. The constants quoted on the accompanying curve refer to this circuit.

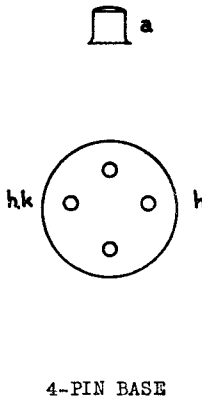
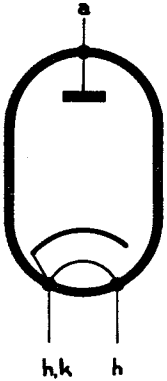


HVR2

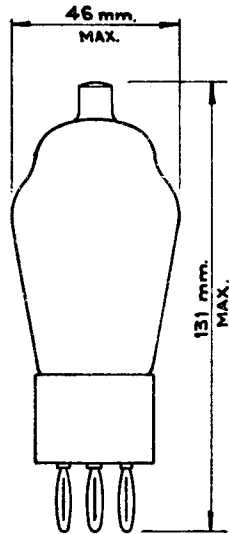
HALF WAVE RECTIFIER

*Directly-heated high voltage rectifier for
cathode ray tube and test equipment.*

ARRANGEMENT OF ELECTRODES
AND BASE CONNECTIONS



DIMENSIONS



HALF WAVE RECTIFIER

HVR2

Directly-heated high voltage rectifier for cathode ray tube and test equipment.

