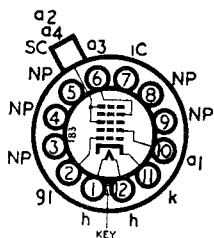


Current Equipment Type



TYPE C17PM B12A (DUODECAL) BASE

The BRIMAR C17PM is a rectangular 70° deflection angle teletube with electrostatic focus, an ion trap, aluminized screen and external conductive coating. The screen colour is white, with a grey glass faceplate with a transmission of approximately 70 per cent.

RATINGS

| | | | | | |
|--|---------------------|-----|-----|-----|--------------------------|
| Heater Voltage | ... | ... | ... | ... | 6.3 volts |
| Heater Current | ... | ... | ... | ... | 0.3 amp. |
| Final Anode Voltage ($V_{a2} + 4$) | ... | ... | ... | ... | 18 kV max. |
| Final Anode Voltage ($V_{a2} + 4$) | ... | ... | ... | ... | 12 kV min. |
| Focus Anode Voltage (V_{a3}) | ... | ... | ... | ... | —500 to 1,000 volts max. |
| First Anode Voltage (V_{a1}) | ... | ... | ... | ... | 500 volts max. |
| First Anode Voltage (V_{a1}) | ... | ... | ... | ... | 200 volts min. |
| Grid Voltage (V_g) Peak | ... | ... | ... | ... | 2 volts max. |
| Heater to Cathode Voltage (V_{hk}) | Cathode Positive | ... | ... | ... | 200 volts |
| Heater to Cathode Voltage (V_{hk}) | Cathode Positive † | ... | ... | ... | 410 volts |
| Heater to Cathode Voltage (V_{hk}) | Cathode Negative... | ... | ... | ... | 180 volts |
| Diagonal Deflection Angle | ... | ... | ... | ... | 70° approx. |

† During warm-up, for a period not exceeding 15 seconds.

OPERATING CHARACTERISTICS

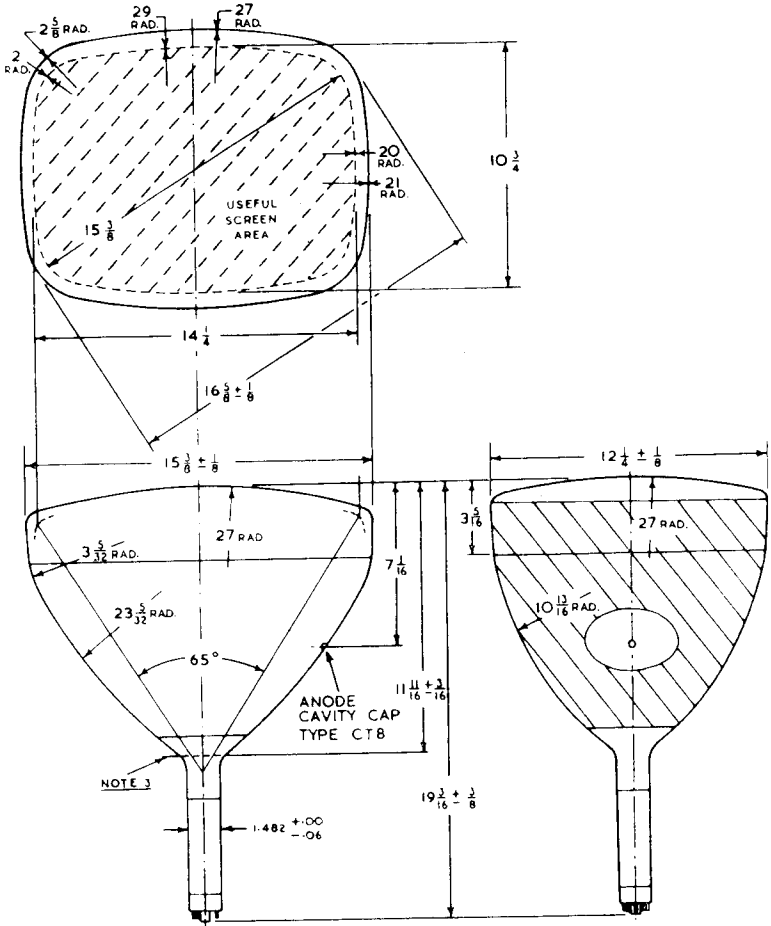
| | | | | | |
|---|-----|-----|-----|-----|------------------|
| Final Anode Voltage | ... | ... | ... | ... | 16 kilovolts |
| Focus Anode Voltage | ... | ... | ... | ... | 300 volts |
| First Anode Voltage | ... | ... | ... | ... | 300 volts |
| Peak to Peak Modulating Voltage for Beam Current of 150 μ A | ... | ... | ... | ... | 30 volts |
| Grid Voltage to cut-off Beam Current | ... | ... | ... | ... | —33 to —77 volts |
| Field Strength of Ion-Trap Magnet | ... | ... | ... | ... | 63 gauss |

INTER-ELECTRODE CAPACITANCES

| | | | | | |
|---------------------------------|-----|-----|-----|-----|---------------|
| Grid to all | ... | ... | ... | ... | 9.0 pF max. |
| Cathode to all | ... | ... | ... | ... | 6.0 pF max. |
| Final Anode to external Coating | ... | ... | ... | ... | 1,500 pF max. |

NOTES:

- A. No harmful X-ray radiation is produced by this tube when operated at final anode voltages below 16 kV. At voltages above 16 kV some shielding may be necessary to protect against prolonged exposure at close range.
- B. The ion-trap magnet should be adjusted to give the brightest picture. Failure to do this may shorten the life of the tube.
- C. Shift magnets, when used, should be mounted in such a position that they do not interfere with the ion trap. This position is normally mounted immediately behind the scanning coils.

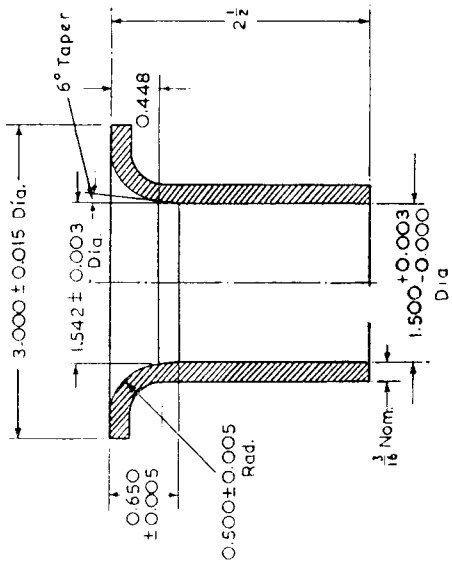


NOTE

1. ALL DIMENSIONS IN INCHES.
2. ANODES 2 & 4 CAP IN LINE $\pm 10^\circ$ WITH BASE PIN NO 6.
3. REFERENCE LINE DETERMINED BY POSITION OF GAUGE NO. DD 705- (SEE VAD/392:12)

V.A.D./392.12

REFERENCE LINE GAUGE
D.D. 705



Note

1. All dimensions in inches.
2. Reference line determined by position where gauge rests on bulb cone. This gauge is also used to test neck ext dia and straightness, and base alignment.

