

SVETLANA TECHNICAL DATA

Svetlana NL1096 Industrial Power Triode



The Svetlana™ NL1096 is a high performance ceramic/metal power triode designed for use in industrial service. Typical use is as a Class C high power oscillator for dielectric heating equipment.

The Svetlana NL1096 is a direct replacements for United States manufactured triodes of the same type.

Characteristics

Electrical

Filament	Thoriated-tungsten mesh	
Voltage	7.5 ± 0.37 V	
Current @ 7.5 V	100	A
Amplification factor (average)	20	
Interelectrode capacitances (typical), with filament grounded:		
Input	53	pF
Output	1.5	pF
Feedback	34	pF

Mechanical

Cooling	Forced air	
Base	Coaxial	
Operating position	Vertical, base up or down	
Maximum dimensions:		
Length	261.88 mm (10.310 in.)	
Diameter	179.07 mm (7.050 in.)	
Maximum operating temperature	250° C	

Maximum ratings, CW

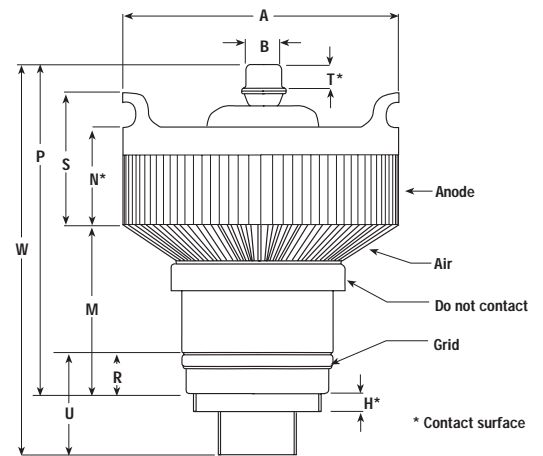
DC plate voltage	10,000	V
Maximum-signal DC plate current	4.0	A
Plate Dissipation	10	kW
Grid Dissipation	250	W

Typical Operation

DC plate voltage	7000	9000	V
Plate current	4.0	4.0	A
DC grid voltage	-620	-930	V
DC grid current*	0.275	0.43	A
Peak cathode RF voltage*	370	390	V
Driving power*	260	570	W
Plate Power output	19	29	kW

*Approximate values

Svetlana Outline drawing



Dimensional Data

Dim.	Millimeters		Inches	
	Min.	Max.	Min.	Max.
A	175.97	179.07	6.928	7.050
B	21.72	22.73	0.855	0.895
H	11.43	—	0.45	—
M	100.33	109.22	3.950	4.300
N	61.26	70.82	2.412	2.788
P	209.55	222.25	8.250	8.750
R	25.04	26.67	0.986	1.050
S	86.66	96.22	3.412	3.788
T	9.53	—	0.375	—
U	—	66.68	—	2.625
W	259.20	261.88	10.008	10.310



Svetlana
ELECTRON DEVICES

Headquarters:

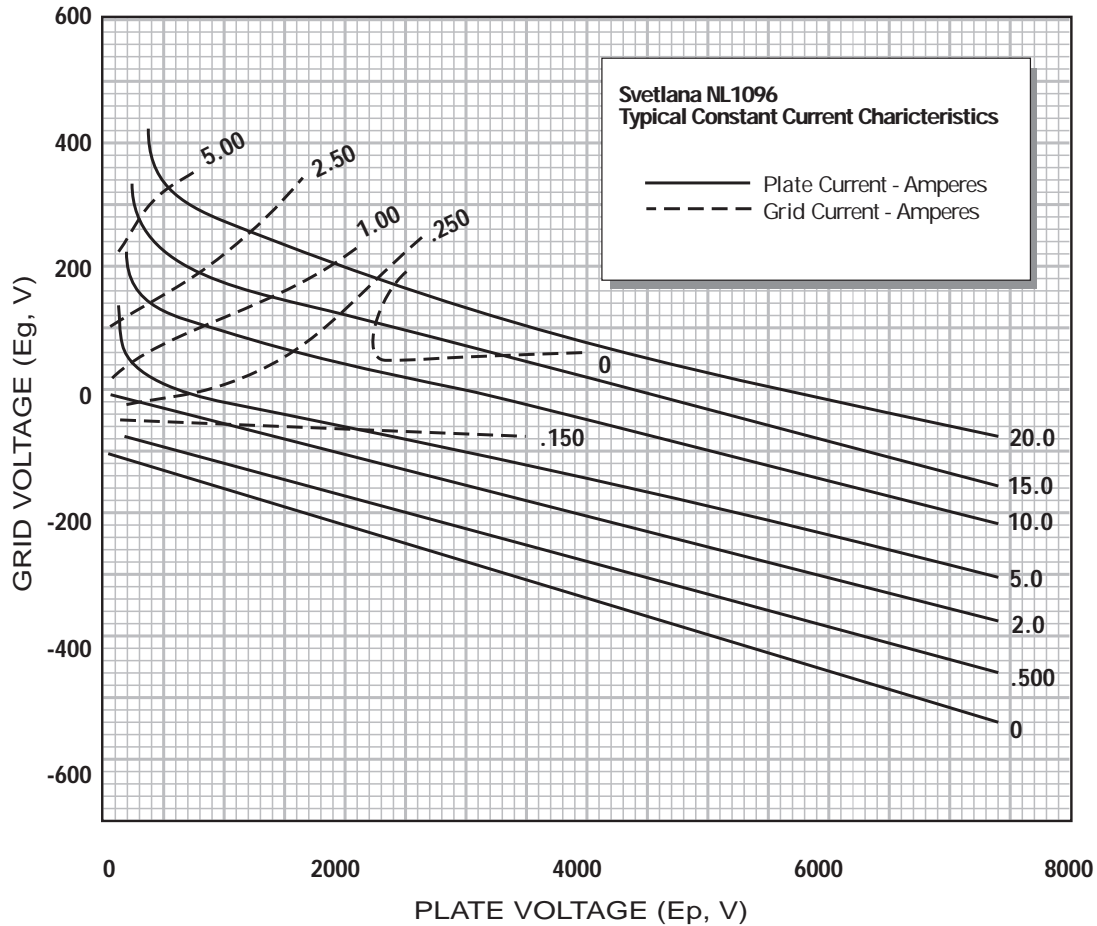
8200 South Memorial Parkway
Huntsville, AL 35802
USA
Phone: 256 882 1344
Fax: 256 880 8077

Marketing & Engineering:

3000 Alpine Road
Portola Valley, CA 94028
USA
Phone: 650 233 0429
Fax: 650 233 0439

www.svetlana.com

Svetlana NL1096 Industrial Power Triode



Minimum Cooling Air Flow Requirements				
Anode-to-Base Air Flow				
Anode Dissipation, Watts	Sea Level		5000 Feet	
	Air Flow, CFM	Pressure Drop, Inches of Water	Air Flow, CFM	Pressure Drop, Inches of Water
4000	85	0.18	105	0.21
6000	145	0.38	125	0.46
8000	215	0.68	260	0.82
10,000	235	1.08	360	0.32

Because the power dissipated by the filament represents about 250 watts and because grid dissipation can, under some conditions, represent another 250 watts, allowance has been made in preparing this tabulation for an additional 1000 watts.