

CENTRAL ELECTRONIC MANUFACTURERS
2 RICHWOOD PLACE
DENVER, NEW JERSEY

TECHNICAL SPECIFICATIONS FOR 7030

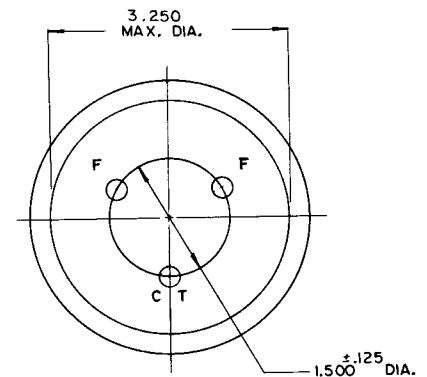
The Central 7030 is a forced-air cooled hard tube diode specifically designed for rectifier, charging and shunt diode service up to 30KV peak inverse voltage. The tube design features a special thoriated tungsten filament capable of high peak currents and long life. The external anode allows for high anode dissipation ratings and efficient air cooling. The 7030 can dissipate 2.5KW continuously at an air flow of 150 cfm.

SPECIFICATIONS:

PHYSICAL

Net Weight, Approximate	6 1/4 pounds
Max. Input Air Temp.	45°C
Max. Glass Seal Temp.	180°C
Mounting Position	Vertical
Type of Cooling	Forced Air
Air Flow Requirements	

TYPE 7030
HIGH VACUUM POWER DIODE



COLOR CODE
FIL. TERM. — YELLOW
FIL. C. TERM. — RED

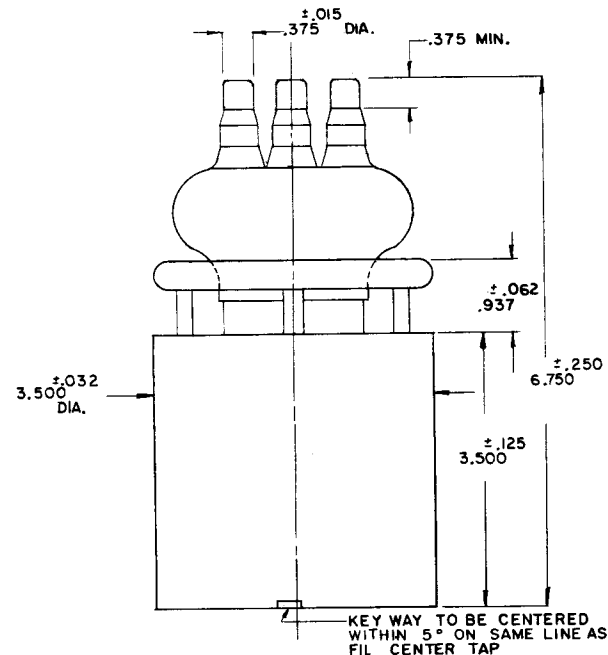
cfm	Dissipation	Press. Drop (in. of water)
150	2.5	2.5
120	2.0	1.6
90	1.5	.9
65	1.0	.65
50	0.5	.5

Interelectrode Capacitance $12 \mu\mu f$

TUBULATION TIP-OFF TO BE
1/8 MIN. BELOW TERMINALS

ELECTRICAL (RECTIFIER):

Filament	Thoriated Tungsten
Filament Voltage	13 Volts
Filament Current	36 Amperes
Filament Starting Current	Full filament voltage may be applied to the cold filament.
Peak Inverse Voltage	25KV
Peak Plate Current	20 Amps.
Average Plate Current	6 Amps.



ELECTRICAL (CLIPPER AND SHUNT):

Filament Voltage	13.75 volts.
Filament Current	38 Amps.
Peak Inverse Voltage	30KV 30KV
Peak Plate Current	50 Amps. 75 Amps.
Average Plate Current	.7 Amps. 2 Amps.

KEY WAY TO BE CENTERED
WITHIN 5° ON SAME LINE AS
FIL. CENTER TAP

TYPE 7030 POWER DIODE
PLATE CHARACTERISTICS

