

Central ELECTRONIC MANUFACTURERS

DENVILLE, NEW JERSEY

**HIGH VOLTAGE
HIGH CURRENT
DIODE
TYPE
7131/XD-2**
Anode Dissipation
3 Kw

HIGH VOLTAGE HIGH VACUUM DIODE

DESCRIPTION

The Central 7131/XD-2 is a forced-air cooled hard tube diode specifically designed for rectifier, charging and shunt diode service up to 40Kv peak inverse voltage. The tube design features a special thoriated tungsten filament capable of high peak currents and long life. The external anode allows for high anode dissipation ratings and efficient air cooling when used with the recommended Central air socket. This air socket permits maximum air flow at the anode. The 7131/XD-2 can dissipate 3Kw continuously at an air flow of 190 cfm.

SPECIFICATIONS

PHYSICAL

Overall Length 6½ inches
Overall Diameter 4⅝ inches
Weight 5¼ pounds (approx.)
Mounting Position Vertical
Mounting Socket CAS-A or CAS-B Series
Type of Cooling Forced air
Air Flow

Velocity cfm	Anode Dissipa- tion Rating	Pressure Drop (in. of water)
50	1.0Kw	0.20
75	1.8Kw	0.26
125	2.4Kw	0.58
190	3.0Kw	1.21

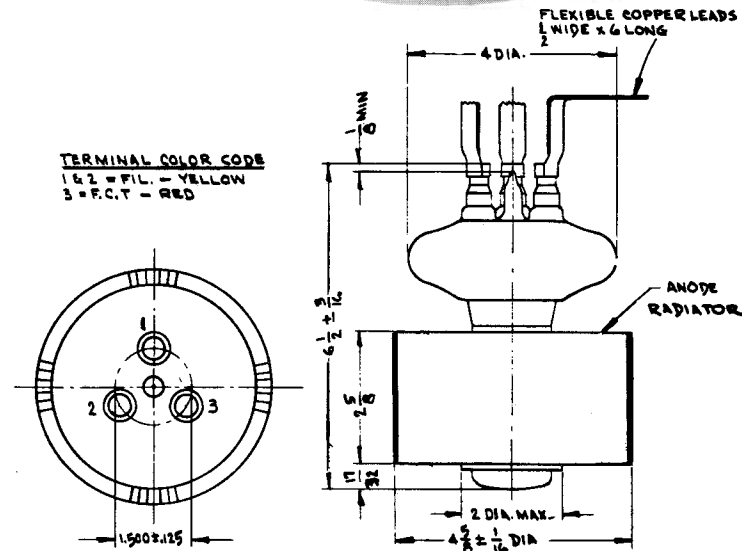
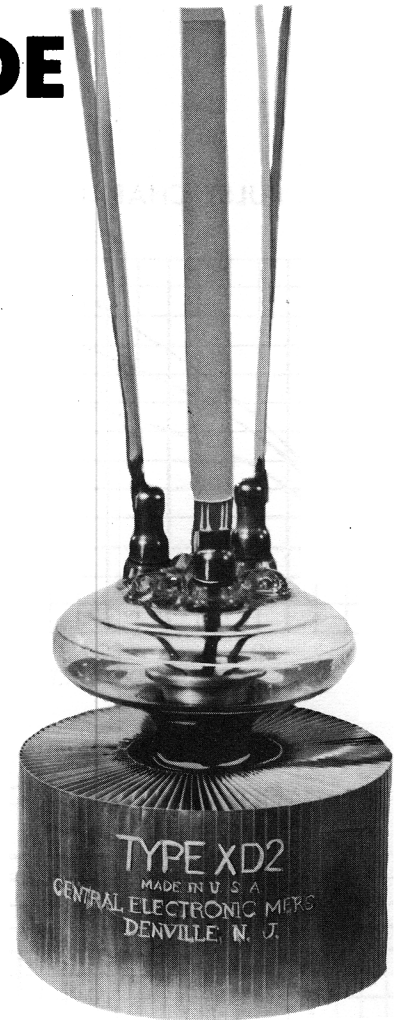
Max. Incoming Air Temperature 45°C
Max. Glass Seal Temperature 180°C

ELECTRICAL (RECTIFIER)

Filament Special Thoriated Tungsten
Filament Voltage 13 Volts A.C.
Filament Current 36 Amperes
Starting Filament Surge Current . 80 Amperes (max.)
Peak Inverse Voltage 40,000 Volts (max.)
Anode Current 3 Amperes
Peak Anode Current 15 Amperes

ELECTRICAL (CLIPPER, SHUNT or CHARGING DIODE)

Filament Voltage 14.5 Volts A.C. (clipper)
13 Volts A.C. (charging)
Filament Current 40 Amperes (clipper)
36 Amperes (charging)
Starting Filament Surge Current 80 Amperes (max.)
Peak Inverse Voltage 40,000 Volts (max.)
Anode Current (RMS) 6 Amperes
Peak Anode Current 150 Amperes (clipper)



HIGH VOLTAGE
HIGH CURRENT
DIODE

TYPE

7131/XD-2

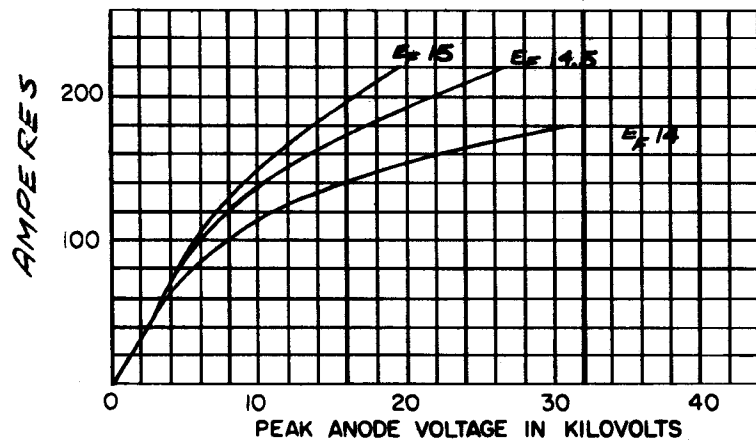
Anode Dissipation
3 Kw

Central ELECTRONIC

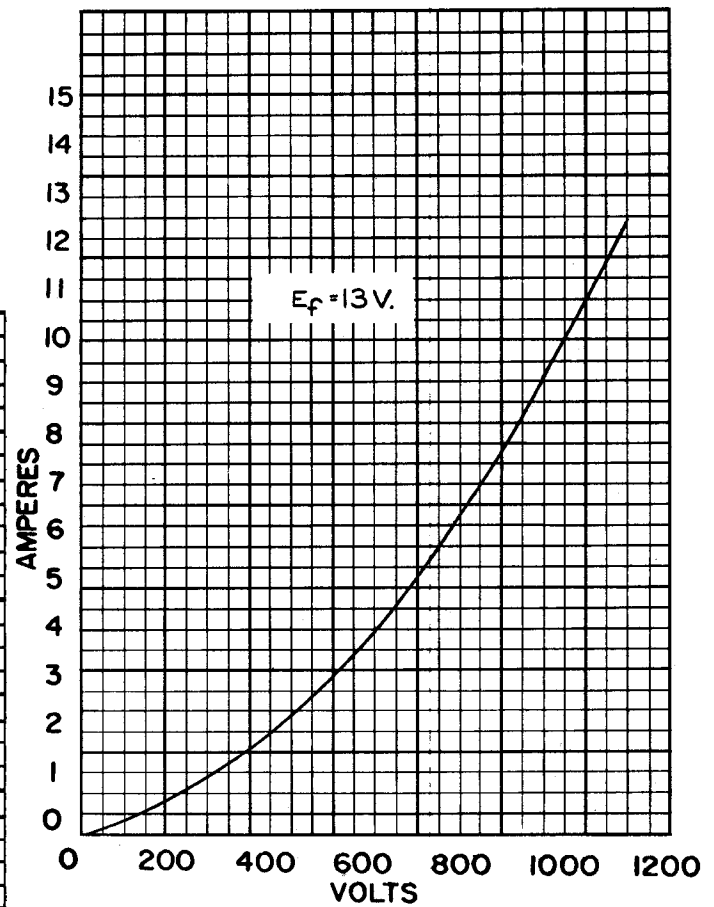
MANUFACTURERS

GENVILLE, NEW JERSEY

PULSE CHARACTERISTICS



AVERAGE ANODE CHARACTERISTICS



FILAMENT CHARACTERISTICS

