

CENTRAL ELECTRONIC MANUFACTURERS
2 RICHWOOD PLACE
DENVER, NEW JERSEY

TECHNICAL SPECIFICATIONS FOR TYPE XD-64W HIGH VOLTAGE VACUUM DIODE

The Nucor XD-64W is a water cooled high vacuum diode specifically designed for rectifier, charging and shunt diode service up to 80KV peak inverse voltage. The tube design features a special thoriated-tungsten filament capable of high peak currents and long life. The external anode allows for high anode dissipation ratings and efficient water cooling through its specially designed integral jacket. The XD-64W can dissipate 5 KW continuously at a water flow of 3 gpm.

SPECIFICATIONS:

PHYSICAL

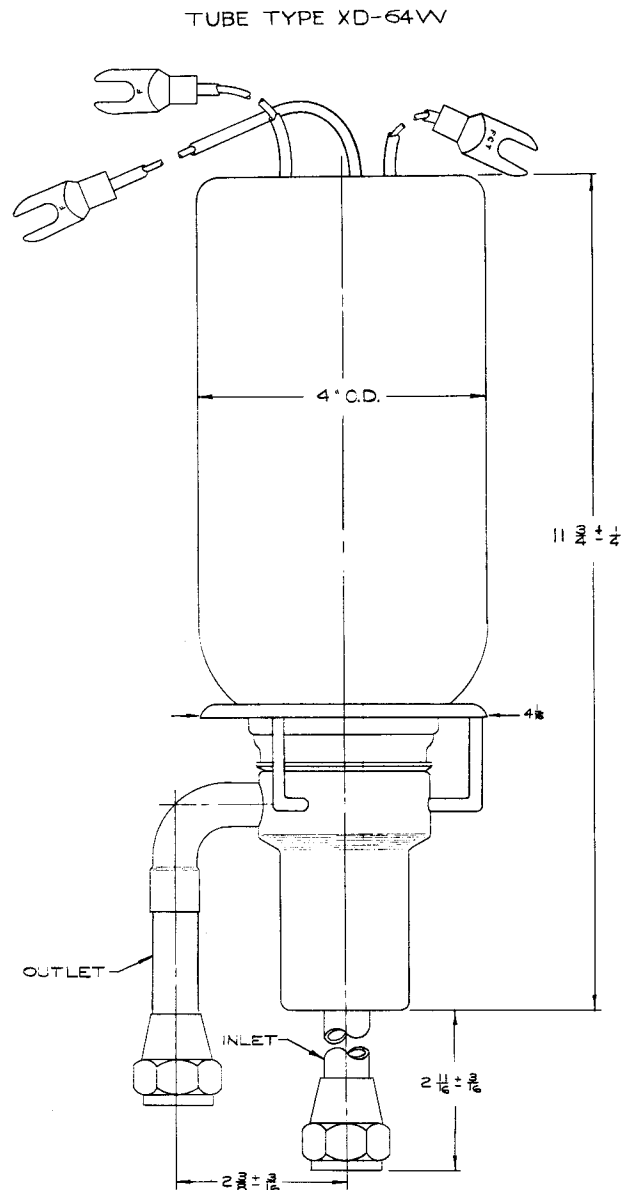
Overall Length (max.)	12 in.
Overall Diameter (max.)	4 21/32 in.
Weight (approx.)	4 lbs.
Mounting Position	Vertical
Type of Cooling	Water
Water Flow (min.)	3 gpm
Maximum Outlet Temp.	70°C
Maximum Glass Seal Temp.	180°C

ELECTRICAL (Rectifier):

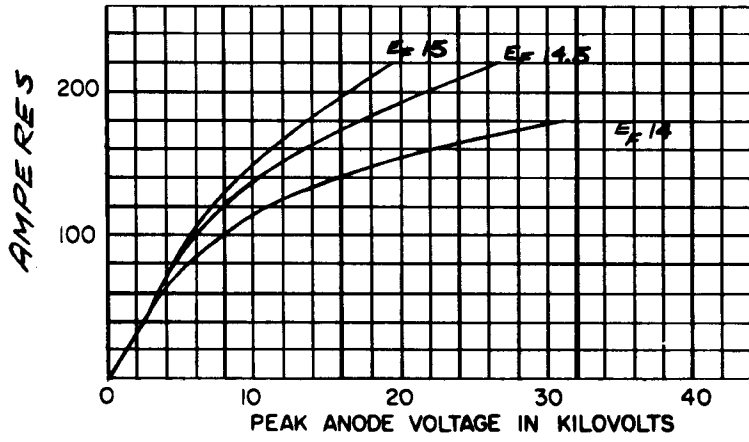
Filament Voltage	13 Volts AC
Filament Current	36 Amperes
Filament Surge Current (max)	80 Amperes
Peak Inverse Voltage (max)	80 Kilovolts
Anode Current	3 Amperes
Peak Anode Current	15 Amperes

CLIPPER, SHUNT OR CHARGING

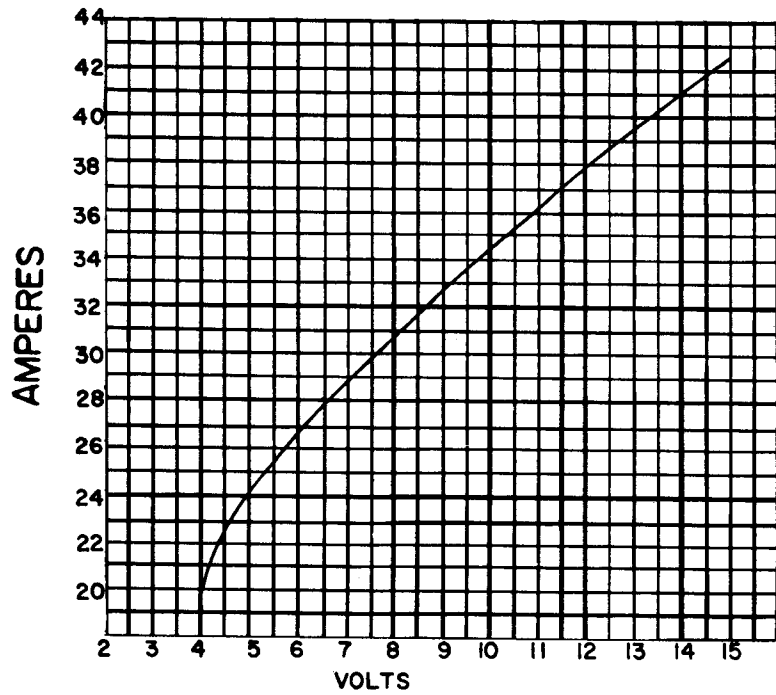
Filament Voltage (clipper)	14.5 Volts AC
Filament Voltage (charging)	13 Volts AC
Filament Current (clipper)	40 Amperes
Filament Current (charging)	30 Amperes
Filament Surge Current (max)	80 Amperes
Peak Inverse Voltage (max)	80 Kilovolts
Anode Current (RMS)	6 Amperes
Peak Anode Current (clipper)	150 Amperes



PULSE CHARACTERISTICS



FILAMENT CHARACTERISTICS



AVERAGE ANODE CHARACTERISTICS

