

CHARACTERISTICS

GENERAL DATA

Focusing Method	Magnetic
Deflecting Method	Magnetic
Deflecting Angle (approx.)	52 Degrees
Phosphor	P11
Fluorescence	Blue
Persistence	Short
Faceplate	Gray Filter Glass

ELECTRICAL DATA

Heater Voltage	6.3 Volts
Heater Current	0.6 Ampere
Direct Interelectrode Capacitances (approx.)	
Cathode to All Other Electrodes	5 μf
Grid to All Other Electrodes	6 μf
External Conductive Coating to Anode	1500 μf Max. 500 μf Min.

MECHANICAL DATA

Minimum Useful Screen Diameter	9 $\frac{1}{8}$ Inches
Bulb Contact (Recessed Small Cavity Cap)	J1-21
Base (Small Shell Duodecal 5-Pin)	B5-57
Basing	12G
Bulb Contact Aligns with Vacant	
Pin Position No. 3	± 30 Degrees

RATINGS

MAXIMUM RATINGS (Design Center Values)

Anode Voltage	25,000 Volts d c
Grid Voltage	
Negative Bias Value	350 Volts d c
Positive Bias Value	0 Volts d c
Positive Peak Value	2 Volts
Peak Heater-Cathode Voltage	
Heater Negative with Respect to Cathode	
During Warm-Up Period Not to Exceed	
15 Seconds	410 Volts
After Equipment Warm-Up Period	150 Volts
Heater Positive with Respect to Cathode	150 Volts

RECOMMENDED OPERATING CONDITIONS

Anode Voltage	18,000 Volts d c
Grid Voltage ¹	-65 to -125 Volts d c
Focusing Coil Current (approx.) ²	110 Ma d c

CIRCUIT VALUES

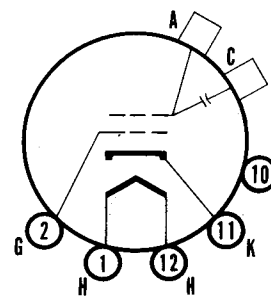
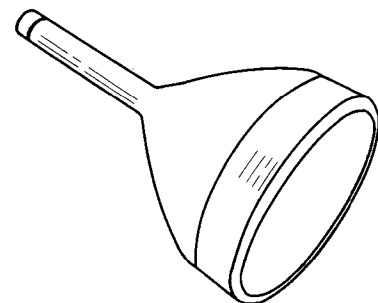
Grid No. 1 Circuit Resistance	1.5 Megohms Max.
---	------------------

NOTES:

1. Visual extinction of undeflected focused spot.
2. For JETEC focusing 109 or equivalent, three and one quarter inches from reference line.

QUICK REFERENCE DATA

Special Purpose Tube
10" Video Recording Tube
Round Glass Type
Magnetic Deflection
Magnetic Focus
Gray Filter Glass
Aluminized Screen



12-6

SYLVANIA ELECTRIC PRODUCTS INC.

TELEVISION PICTURE TUBE DIVISION
SENECA FALLS, NEW YORK

Prepared and Released By The
TECHNICAL PUBLICATIONS SECTION
EMPORIUM, PENNSYLVANIA

JULY, 1954

SYLVANIA

10NP11

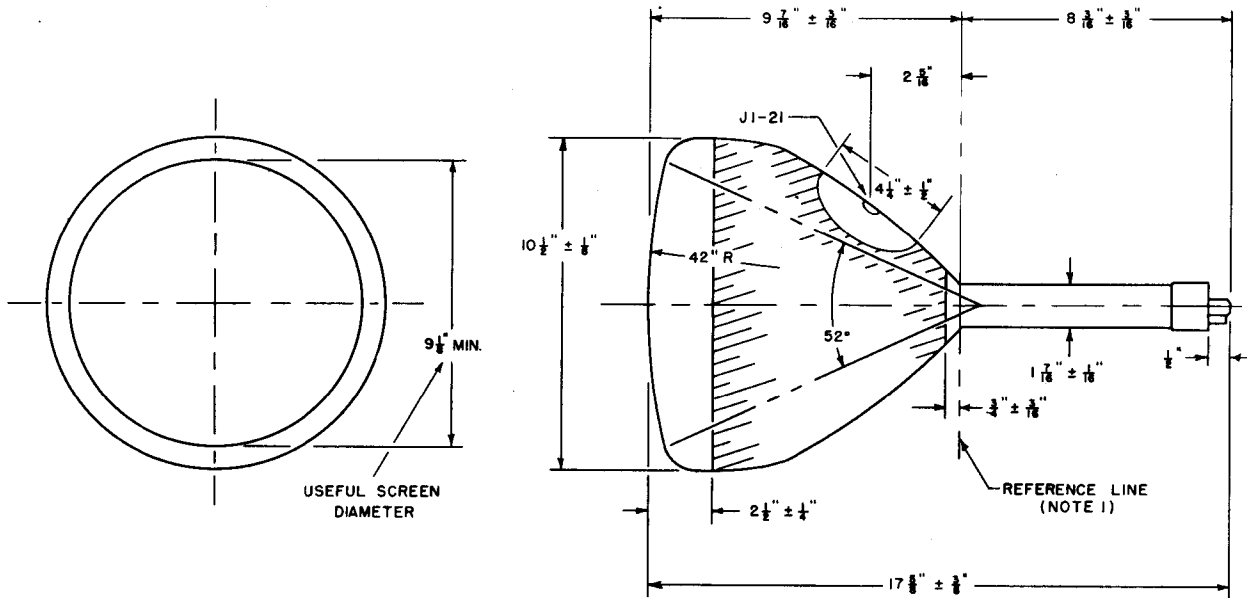


DIAGRAM NOTES:

1. Reference line is determined by position where JETEC reference line gauge No. 112 will rest on the bulb cone.

WARNING:

X-ray radiation shielding may be necessary to protect against possible danger of personal injury from prolonged exposure at close range if this tube is operated at higher than the manufacturer's Maximum Rated Anode Voltage or 16,000 volts, whichever is less.