

CHARACTERISTICS

GENERAL DATA

Focusing Method				Electrostatic
Deflection Method				Electrostatic
Types*	Fluorescence	Phosphorescence	Persistence	
3ACP1A	Green	Medium	
3ACP2A	Blue-Green	Green	Long	
3ACP7A	Blue-White	Yellow	Long	
3ACP11A	Blue	Short	
3ACP12A	Orange	Orange	Medium Long	
Faceplate				Flat, Clear

**In addition to the types shown, the 3ACP-A can be supplied with several other screen phosphors.*

ELECTRICAL DATA

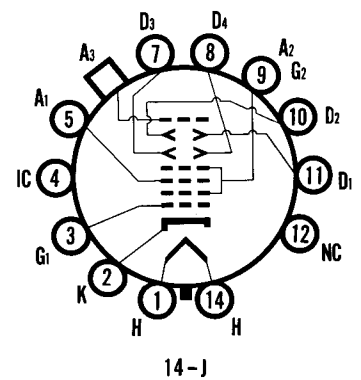
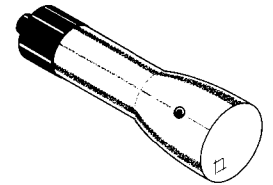
Heater Voltage	6.3 Volts
Heater Current	0.6 ± 10% Ampere
Direct Interelectrode Capacitances (Maximum)	
Cathode to All Other Electrodes	4.2 μμf
Grid to All Other Electrodes	5.5 μμf
Between Deflecting Plates 1-2	2.1 μμf
Between Deflecting Plates 3-4	1.5 μμf
Deflecting Plate 1 to All Other Electrodes	5.8 μμf
Deflecting Plate 2 to All Other Electrodes	5.8 μμf
Deflecting Plate 3 to All Other Electrodes	4.5 μμf
Deflecting Plate 4 to All Other Electrodes	4.5 μμf

MECHANICAL DATA

Minimum Useful Screen Diameter	2.68 Inches
Bulb Contact (Recessed Small Ball Cap)	J1-22
Bulb	J24V
Base (Medium-Shell Diheptal 12-Pin)	B12-37
Basing	14J
Base Alignment	
D1-D2 trace aligns with Pin No. 5 and Tube Axis	±10 Degrees
Positive Voltage on D1 deflects beam approx. toward Pin No. 5	
Positive Voltage on D3 deflects beam approx. toward Pin No. 2	
Angle between traces D1-D2 and D3-D4	90 ±1 Degrees
Bulb Contact alignment	
J1-22 contact aligns with D1-D2 trace	±10 Degrees
J1-22 contact on same side as Pin No. 5	

QUICK REFERENCE DATA

- 3" Direct Viewed
- Round Glass Type
- Electrostatic Deflection
- Electrostatic Focus
- Close Tolerances
- Flat Face Plate
- Post Deflection Acceleration



SYLVANIA
ELECTRONIC TUBES

A Division of
Sylvania Electric Products, Inc.

PICTURE TUBE OPERATIONS
SENECA FALLS, NEW YORK

Prepared and Released By The
TECHNICAL PUBLICATIONS SECTION
EMPORIUM, PENNSYLVANIA

RATINGS

MAXIMUM RATINGS (Absolute Maximum Values)

Anode No. 3 Voltage	6600 Volts	dc
Anode No. 2 Voltage	2200 Volts	dc
Ratio Anode No. 3 to Anode No. 2 Voltage ¹	3.0	
Anode No. 2 Input (Av. except for 3ACP12A)	6.0 Watts	
Anode No. 1 Voltage (Focusing Electrode)	1650 Volts	dc
Grid No. 1 Voltage		
Negative Bias Value	220 Volts	dc
Positive Bias Value	0 Volts	dc
Positive Peak Value	0 Volts	
Peak Heater-Cathode Voltage		
Heater Negative with Respect to Cathode	200 Volts	
Heater Positive with Respect to Cathode	200 Volts	
Peak Voltage Between Anode No. 2 and Any Deflection Plate	600 Volts	

TYPICAL OPERATING CONDITIONS²

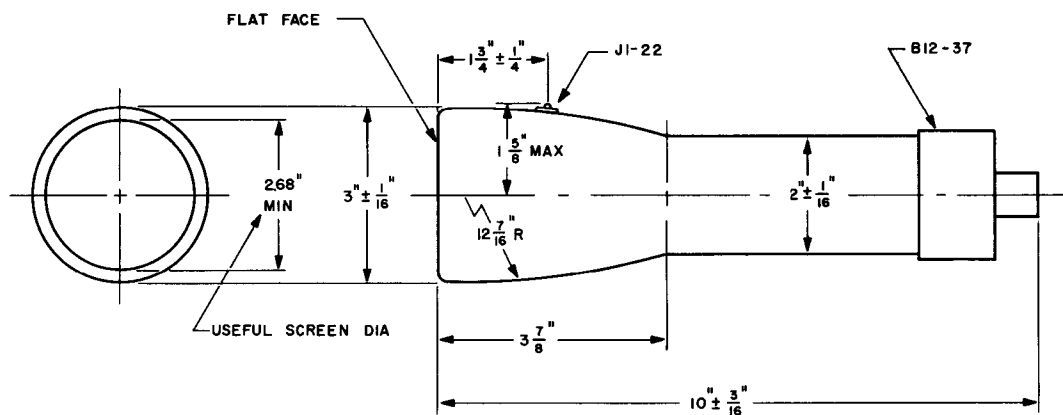
Anode No. 3 Voltage	4000 Volts	dc
Anode No. 2 Voltage	2000 Volts	dc
Anode No. 1 Voltage for Focus	390 to 550 Volts	dc
Grid No. 1 Voltage Required for Cutoff ³	-45 to -75 Volts	dc
Anode No. 3 Current ⁴	500 μ a	dc Min.
Cathode Current ⁵	125 μ a	dc Max.
Cathode Current ⁶	600 μ a	dc Max.
Deflection Factor		
Deflecting Plates 1-2	175 to 205 Volts	dc/Inch
Deflecting Plates 3-4	138 to 158 Volts	dc/Inch
Deflection Factor Uniformity ⁷	2% Max.	
Pattern Distortion ⁸	2% Max.	
Modulation at Anode No. 3 Current = 25 μ Adc ⁷	21 Volts	dc Max.
Modulation at Anode No. 3 Current = 200 μ Adc ⁷		
(Except 3ACP12A)	45 Volts	dc Max.
Line Width "A" at Anode No. 3 Current = 5 μ a (3ACP12A)012 Inches	Max.
Line Width "A" at Anode No. 3 Current = 50 μ Adc ⁷		
(Except 3ACP12A)016 Inches	Max.
Line Width "A" at Anode No. 3 Current = 200 μ Adc ⁷		
(Except 3ACP12A)028 Inches	Max.
Light Output at Anode No. 3 Current = 100 μ Adc ⁹		
3ACP1A	80 Foot Lamberts	Min.
3ACP11A	35 Foot Lamberts	Min.
Spot Position (Focused and Undelected) ¹⁰ Within a 3/16 Inch Radius Circle		

CIRCUIT VALUES

Grid Circuit Resistance	1.5 Megohms	Max.
Deflection Circuit Resistance ¹¹	1.0 Megohms	Max.

NOTES:

1. These types are designed for optimum performance when operating at EB3/EB2 ratio of 2.0.
2. Type 3ACP12A can be severely and permanently damaged if current density is allowed to rise too high. Test and operate at minimum usable currents.
3. Visual extinction of undeflected focused spot.
4. At $EG1 = 0 V$ dc.
5. At $IB3 = 50 \mu a$ dc.
6. At $IB3 = 200 \mu a$ dc.
7. Per MIL-E-1 specifications.
8. All portions of a raster pattern, adjusted so its widest points just touch the sides of a 1.938 inch square, will fall within the area bounded by the 1.938 inch square and an inscribed 1.862 inch square.
9. Measured in accordance with MIL-E-1 specifications using a raster size of $1\frac{7}{8} \times 1\frac{7}{8}$ inches. The P11 phosphor is measured with a photronic cell without eye correction.
10. Centered with respect to tube face and with tube shielded. Connect deflecting plates to Anode No. 2.
11. It is recommended that the deflecting electrode circuit resistance be approximately equal. Higher resistance values up to five megohms may be used for low beam current operation.



A Technical Publication of
**SYLVANIA ELECTRIC
PRODUCTS INC.**
EMPORIUM, PA.

