

**CHARACTERISTICS**

**GENERAL DATA**

Focusing Method . . . . .				Electrostatic
Deflection Method . . . . .				Electrostatic
Types*	<b>3WP1</b>	<b>3WP2</b>	<b>3WP11</b>	
Fluorescence . . . . .	Green	Blue-Green	Blue	
Phosphorescence . . . . .	.....	Green	.....	
Persistence . . . . .	Medium	Long	Short	
Faceplate . . . . .				Flat, Clear

*\*In addition to the types shown, the 3WP- can be supplied with several other screen phosphors.*

**ELECTRICAL DATA**

Heater Voltage . . . . .	6.3	Volts
Heater Current . . . . .	0.6 ± 10%	Ampere
Direct Interelectrode Capacitances		

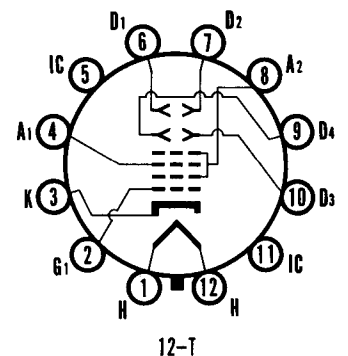
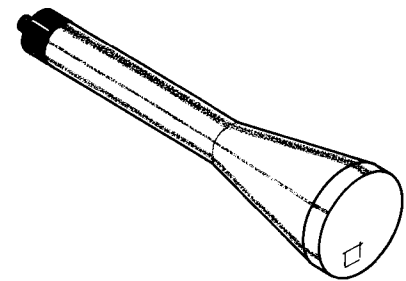
	Min.	Max.
Cathode to All Other Electrodes . . . . .	3.0	5.7 μμf
Grid No. 1 to All Other Electrodes . . . . .	4.6	8.7 μμf
Between Deflecting Plates 1-2 . . . . .	1.7	3.3 μμf
Between Deflecting Plates 3-4 . . . . .	1.0	2.0 μμf
Deflecting Plate 1 to All Other Electrodes except D2 . . . . .	3.8	7.2 μμf
Deflecting Plate 2 to All Other Electrodes except D1 . . . . .	3.8	7.2 μμf
Deflecting Plate 3 to All Other Electrodes except D4 . . . . .	2.5	4.8 μμf
Deflecting Plate 4 to All Other Electrodes except D3 . . . . .	2.5	4.8 μμf

**MECHANICAL DATA**

Minimum Useful Screen Diameter . . . . .	23/4	Inches
Base (Small Shell Duodecal 12-Pin or Small Shell Duodecal 10-Pin) . . . . .	B12-43 B10-75	
Basing . . . . .	12T	
Base Alignment		
D1-D2 trace aligns with Pin No. 3 and Tube Axis . . . . .	±10	Degrees
Angle Between D1-D2 and D3-D4 Traces . . . . .	90 ± 1	Degree
Positive voltage on D1 deflects beam approximately toward Pin No. 3.		
Positive voltage on D3 deflects beam approximately toward Pin No. 12.		

**QUICK REFERENCE DATA**

- 3" Direct Viewed
- Round Glass Type
- Electrostatic Deflection
- Electrostatic Focus
- High Deflection Sensitivity
- Flat, Clear Faceplate



**SYLVANIA**  
**ELECTRONIC TUBES**  
A Division of  
Sylvania Electric Products Inc.  
**PICTURE TUBE OPERATIONS**  
**SENECA FALLS, NEW YORK**

*Prepared and Released By The  
TECHNICAL PUBLICATIONS SECTION  
EMPORIUM, PENNSYLVANIA*

NOVEMBER, 1959  
PAGE 1 OF 3

*File Under*  
**SPECIAL AND GENERAL  
PURPOSE CATHODE RAY TUBES**

## RATINGS

### MAXIMUM RATINGS (Absolute Maximum Values)

Anode No. 2 Voltage <sup>1</sup>	2750 Volts dc
Anode No. 1 Voltage (Focusing Electrode)	1100 Volts dc
Grid No. 1 Voltage	
Negative Bias Value	220 Volts dc
Positive Bias Value	0 Volts dc
Positive Peak Value	0 Volts
Peak Heater Cathode Voltage	
Heater Negative with Respect to Cathode	200 Volts
Heater Positive with Respect to Cathode	200 Volts
Peak Voltage Between Anode No. 2 and Any Deflecting Plate	550 Volts

### TYPICAL OPERATING CONDITIONS

Anode No. 2 Voltage	1500 Volts dc
Anode No. 1 Voltage for Focus	247 to 465 Volts dc
Grid No. 1 Voltage Required for Cutoff <sup>2</sup>	-45 to -75 Volts dc
Deflection Factor	
Deflecting Plates 1-2	62 to 76 Volts dc/Inch
Deflecting Plates 3-4	43 to 52 Volts dc/Inch
Modulation <sup>3</sup> (3WP1, at 7 Ft. L. Light Output)	50 Volts Max.
Line Width A <sup>3</sup> (3WP1, at 7 Ft. L. Light Output)	.026 Inches Max.
Deflection Factor Uniformity <sup>4</sup>	2 Percent Max.
Pattern Distortion @ 75% of Useful Scan <sup>5</sup>	2½ Percent Max.
Spot Position (Focused, Undelected) <sup>6</sup>	Within a 3/16 Inch Radius Circle
Useful Scan	
D1-D2 ± 1.25 Inches from Tube Face Center or a total of 2.50 Inches Min.	
D3-D4 ± 1.125 Inches from Tube Face Center or a total of 2.25 Inches Min.	

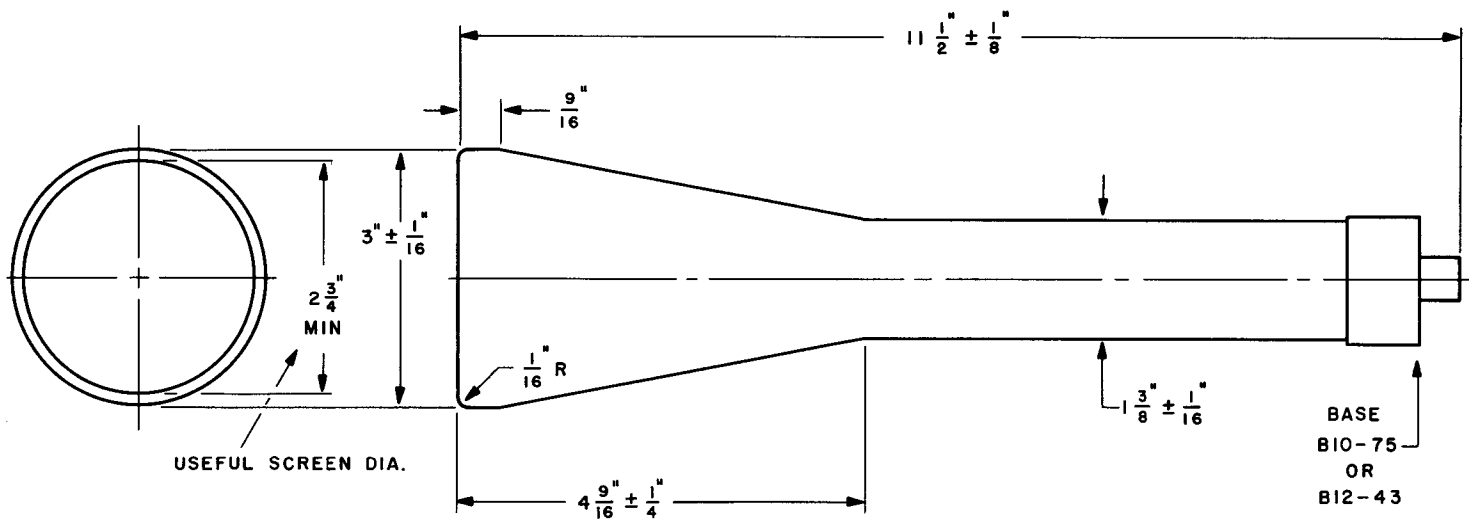
### CIRCUIT VALUES

Grid No. 1 Circuit Resistance	1.5 Megohms Max.
Deflection Circuit Resistance <sup>7</sup>	5.0 Megohms Max.

### NOTES:

- The product of acceleration voltage and average acceleration current should be limited to 6.0 watts.*
- Visual extinction of undeflected focused spot.*
- Measured in accordance with MIL-E-1.*
- The deflection factors of 75% of useful scan and at 25% of useful scan shall not differ by more than the indicated value.*
- The edges of a raster pattern, whose mean dimensions are the indicated percentage of useful scan, shall not deviate from the mean dimensional rectangle by more than the specified amount.*
- Centered on the tube face with the tube shielded and with all deflection plates connected to anode No. 2.*
- It is recommended that the deflecting electrode circuit resistances be approximately equal.*

OUTLINE



S 58068

*A Technical Publication of*  
**SYLVANIA ELECTRIC  
PRODUCTS INC.**  
EMPORIUM, PA.

